


BREATHER VALVE

Suction Nozzle Flame Arrester Breather Valve

- ISO9001 Supplier
- Class Certificate
- Export Supply

Material Component Body Stem Guide Pressure Disk Pressure Seat Gasket Fire Arresting...

	<h3 style="margin: 0;">Key Highlights</h3> <table border="1" style="width: 100%; border-collapse: collapse; margin-top: 10px;"> <tr> <td style="width: 20%;">Category</td> <td>Breather Valve</td> </tr> <tr> <td>Standard</td> <td>EN</td> </tr> <tr> <td>Material</td> <td>304,316, Aluminum Alloy</td> </tr> <tr> <td>Weight / Size</td> <td>Material Component Body Stem Guide Pressure Disk Pressure Seat Gasket Fi...</td> </tr> <tr> <td>Certificate</td> <td>ABS, LR, BV, DNVGL, NK, KR, IRS, RMRS, CCS</td> </tr> </table> <p style="font-size: small; margin-top: 10px;">We can supply according to your requirement, drawings, class certificate needs, and delivery schedule.</p>	Category	Breather Valve	Standard	EN	Material	304,316, Aluminum Alloy	Weight / Size	Material Component Body Stem Guide Pressure Disk Pressure Seat Gasket Fi...	Certificate	ABS, LR, BV, DNVGL, NK, KR, IRS, RMRS, CCS
Category	Breather Valve										
Standard	EN										
Material	304,316, Aluminum Alloy										
Weight / Size	Material Component Body Stem Guide Pressure Disk Pressure Seat Gasket Fi...										
Certificate	ABS, LR, BV, DNVGL, NK, KR, IRS, RMRS, CCS										

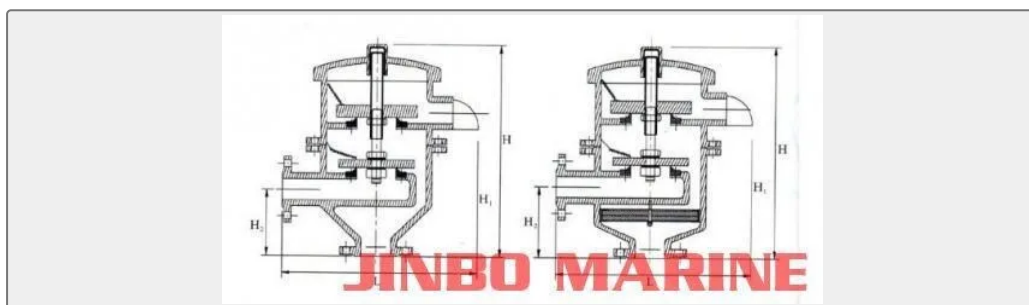
Technical Specifications			
Category	Breather Valve	Model / SKU	Suction-Nozzle-Flame-Arrester-Breather-Valve
Standard	EN	Material	304,316, Aluminum Alloy
Weight / Size	Material Component Body Stem Guide Pressure Disk Pressure Seat Gasket Fire Arresting Material Steel 304 304 304 304 304 Aluminums 316 316 316 316 316 Casting 316L 316L 316L 316L 316L PTFE PTFE PTFE PTFE PTFE Installation Size DN 25 32 40 50 80 100 150 200 250 300 L 280 300 320 320 450 450 620 750 850 1100 H 300 320 350 350 500 500 600 700 820 900	Certificate	ABS, LR, BV, DNVGL, NK, KR, IRS, RMRS, CCS
Warranty	12 Months unless specified otherwise	Origin	China



CONTENTS

■ Material

■ Installation Size



Material

Component	Body	Stem Guide	Pressure Disk	Pressure Seat	Gasket	Fire Arresting
Material	Steel	304	304	304	304	304
	Aluminums	316	316	316	316	316
	Casting	316L	316L	316L	316L	316L
	PTFE	PTFE	PTFE	PTFE	PTFE	

Installation Size

DN	25	32	40	50	80	100	150	200	250	300
L	280	300	320	320	450	450	620	750	850	1100
H	300	320	350	350	500	500	600	700	820	900