

Jinbo Marine

Marine & Offshore Equipment Datasheet

PRODUCT DATASHEET

MARINE FENDER

Super Cell Type Rubber Fenders

Design compression deformation is big. High energy absorption. Suitable for big port or wharf.
Specification: Specification H(mm) ...

ISO9001 Supplier

Class Certificate

Export Supply



Key Highlights

Category	Marine Fender
Standard	EN
Material	Natural Rubber
Weight / Size	Specification H(mm) W(mm) B(mm) D(mm) n x d(mm) Weight(kg) SC400H 400 65...
Certificate	CCS,BV,mill certificate etc.

We can supply according to your requirement, drawings, class certificate needs, and delivery schedule.

Technical Specifications			
Category	Marine Fender	Model / SKU	Super-Cell-Type-Rubber-Fenders
Standard	EN	Material	Natural Rubber
Weight / Size	Specification H(mm) W(mm) B(mm) D(mm) n x d(mm) Weight(kg) SC400H 400 650 550 25 4x30 78 SC500H 500 650 550 25 4x32 110 SC630H 630 840 700 25 4x39 230 SC800H 800 1050 900 30 6x40 410 SC1000H 1000 1300 1100 35 6x47 790 SC1150H 1150 1500 1300 37 6x50 1200 SC1250H 1250 1650 1450 40 6x53 1500 SC1450H 1450 1850 1650 42 6x61 2300 SC1600H 1600 2000 1800 45 8x61 3000 SC1700H 1700 2100 1900 50 8x66 3600 SC2000H 2000 2200 2000 50 8x74 5200 SC2250H 2250 2550 2300 57 10x74 7400 SC2500H 2500 2950 2700 70 10x74 10500 SC3000H 3000 3350 3150 75 12x90 18500	Certificate	CCS,BV,mill certificate etc.
Warranty	12 Months unless specified otherwise	Origin	China

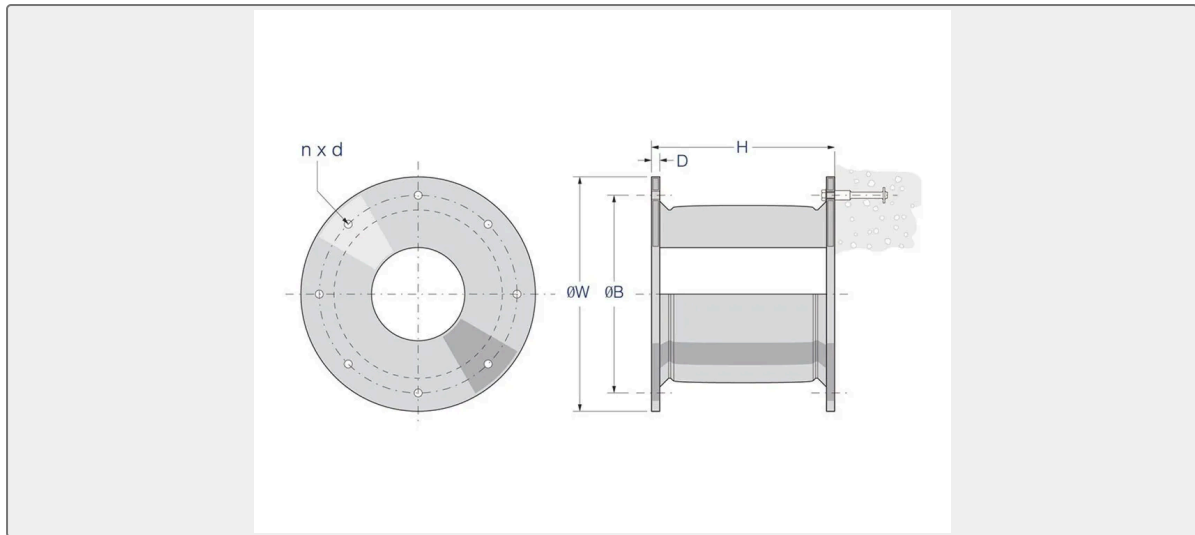
China Super Cell Type Rubber Fenders:

Design compression deformation is big.

High energy absorption.

Suitable for big port or wharf.

Specification:



Specification	H(mm)	W(mm)	B(mm)	D(mm)	n x d(mm)	Weight(kg)
SC400H	400	650	550	25	4x30	78
SC500H	500	650	550	25	4x32	110
SC630H	630	840	700	25	4x39	230
SC800H	800	1050	900	30	6x40	410
SC1000H	1000	1300	1100	35	6x47	790
SC1150H	1150	1500	1300	37	6x50	1200
SC1250H	1250	1650	1450	40	6x53	1500
SC1450H	1450	1850	1650	42	6x61	2300
SC1600H	1600	2000	1800	45	8x61	3000
SC1700H	1700	2100	1900	50	8x66	3600
SC2000H	2000	2200	2000	50	8x74	5200
SC2250H	2250	2550	2300	57	10x74	7400
SC2500H	2500	2950	2700	70	10x74	10500
SC3000H	3000	3350	3150	75	12x90	18500