

Jinbo Marine

Marine & Offshore Equipment Datasheet

PRODUCT DATASHEET

OFFSHORE ANCHOR

Superior Delta Anchor

Delta Flipper Anchor is one of most popular anchor used for Offshore Anchor, High holding Power Anchor and Good stability, suitable for all kinds of seabed; LR, ABS, BV, DNV, GL, NK, KR, IRS and CCS Cla

ISO9001 Supplier

Class Certificate

Export Supply



Key Highlights

Category	Offshore Anchor
Standard	DIN
Material	Casting Steel and High Quality Steel Plate
Weight / Size	300kgs to 25000kgs
Certificate	ABS, LR, BV, DNV, GL, RINA, NK, KR, RS, IRS, CCS

We can supply according to your requirement, drawings, class certificate needs, and delivery schedule.

Technical Specifications

Category	Offshore Anchor	Model / SKU	Superior-Delta
Standard	DIN	Material	Casting Steel and High Quality Steel Plate
Weight / Size	300kgs to 25000kgs	Certificate	ABS, LR, BV, DNV, GL, RINA, NK, KR, RS, IRS, CCS
Warranty	12 Months unless specified otherwise	Origin	China

CONTENTS

- China Superior Delta Anchor:
- Superior Delta Anchor Dimension:
- Proof Load for HHP(High Holding Power) âncora
- Superior Delta Anchor Specification:
- JB HHP Anchor Photo

China Superior Delta Anchor:

We supply the marine anchor for more than 7 years, including stockless anchor, offshore anchor, HHP anchor and other anchors.

High Force Triangle Anchors is one type of offshore anchor, the open construction of Delta Anchor offers for a smooth and excellent penetration in a variety of soils. The HHP anchor offers excellent efficiency (weight/ holding power) and easy dismantling for transport purposes. This anchor will hold true in the toughest conditions and will not rotate once it is set, which results in no decrease of holding capacity.

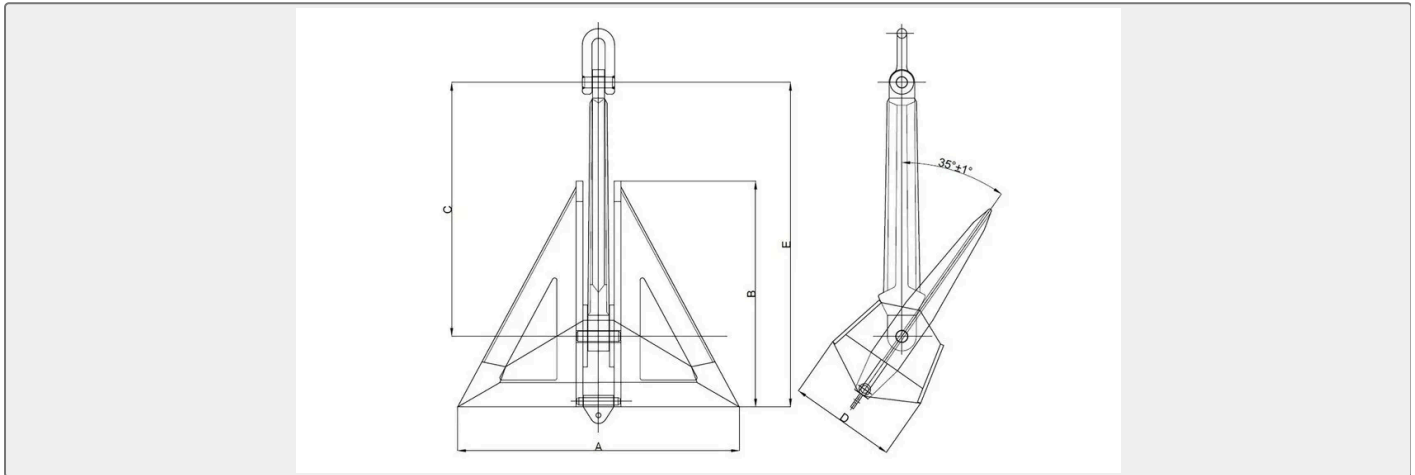
Superior Delta Anchor Specification:

Material: Steel Plate and Casting Steel.

Weight of âncora : 300kgs to 25000kgs

Class Certificate: ABS, LR, BV, DNV, GL, NK, CCS.

Superior Delta Anchor Dimension:



Weight/Mass (KG)	Size(mm)					
	A	B	C	D	E	F
300KGS	1200	960	1080	457	1380	45
500KGS	1500	1200	1350	571	1725	50
1000KGS	1875	1500	1686	714	2155	62
1080KGS	1915	1530	1686	722	2200	62
2000KGS	2363	1890	2124	900	2715	82
3000KGS	2700	2160	2430	1028	3105	90
4000KGS	2975	2380	2676	1133	3420	100
5000KGS	3250	2600	2922	1238	3735	110
7000KGS	3575	2860	3216	1361	4100	117
7500KGS	3650	2925	3290	1390	4210	117
8000KGS	3730	2900	3360	1420	43000	130
9000KGS	3950	3160	3555	1504	4543	135
10000KGS	4100	3280	3690	1561	4715	140
12000KGS	4490	3575	4030	1695	5320	145

13500KGS	4670	3720	4195	1765	5535	150
15000KGS	4845	3875	4355	1830	5735	150
18000KGS	5140	4080	4610	1940	6080	160
20000KGS	5330	4260	4790	2010	6310	170
22500KGS	5490	4360	4905	2060	6470	180
25000KGS	5740	4590	5160	2165	6795	195

JB HHP Anchor Photo



8000KGS HHP Anchor



8000kgs HHP Anchor Shank

Proof Load for HHP(High Holding Power) âncora

Mass of anchor	Proof test load	Mass of anchor	Proof test load	Mass of anchor	Proof test load	Mass of anchor	Proof test load	Mass of anchor	Proof test load	Mass of anchor	Proof test load
Kg	kN	Kg	kN	Kg	kN	Kg	kN	Kg	kN	Kg	kN
38	23.2	413	125	1650	376	3600	645	5850	861	13125	1390
41	25.2	450	132	1725	388	3675	653	6000	877	13500	1410
45	27.1	488	140	1800	401	3750	661	6150	892	13875	1440
49	28.9	525	149	1875	414	3825	669	6300	908	14250	1470
53	30.7	563	158	1950	427	3900	677	6450	922	14625	1490
56	32.4	600	166	2025	438	3975	685	6600	936	15000	1520
60	33.9	638	175	2100	450	4050	691	6750	949	15750	1570
68	36.3	675	182	2175	462	4125	699	6900	961	16500	1620
75	39.1	713	191	2250	474	4200	706	7050	975	17250	1670
90	44.3	750	199	2325	484	4275	713	7200	987	18000	1720
105	49.1	788	208	2400	495	4350	721	7350	999	18750	1770
120	53.3	825	216	2475	506	4425	728	7500	1010	19500	1800
135	57.4	863	224	2550	517	4500	735	7875	1040	20250	1850
150	61.3	900	231	2625	528	4575	740	8250	1070	21000	1900
169	66.8	938	239	2700	537	4650	747	8625	1090	21750	1940
188	70.4	975	247	2775	547	4725	754	9000	1110	22500	1990
206	74.9	1013	255	2850	557	4800	760	9375	1130	23250	2030
225	79.6	1050	262	2925	567	4875	767	9750	1160	24000	2070
244	84.2	1088	270	3000	577	4950	773	10125	1180	25500	2160
263	88.8	1125	278	3075	586	5025	779	10500	1210	27000	2250
281	93.4	1200	292	3150	595	5100	786	10875	1230	28500	2330
300	97.9	1275	307	3225	604	5175	795	11250	1260	30000	2410
319	103	1350	321	3300	613	5250	804	11625	1270	31500	2490
338	107	1425	335	3375	622	5400	818	12000	1300	33000	2570
356	112	1500	349	3450	631	5550	832	12375	1330	34500	2650
375	116	1575	362	3525	638	5700	845	12750	1360	36000	2730