

Jinbo Marine

Marine & Offshore Equipment Datasheet

PRODUCT DATASHEET

CHAIN SLING

Swivel Hoist Ring

Metric Model Load WLL(T) Unit (mm) Weight (kg) A B C D E ...

ISO9001 Supplier

Class Certificate

Export Supply



Key Highlights

Category	Chain Sling
Standard	EN
Material	Alloy Steel Forging
Weight / Size	Metric Model Load WLL(T) Unit (mm) Weight (kg) A B C D E d F M8X1.25-6g 0...
Certificate	ABS, LR, BV, DNVGL, NK, KR, IRS, RMRS, CCS

We can supply according to your requirement, drawings, class certificate needs, and delivery schedule.

Technical Specifications

Category	Chain Sling	Model / SKU	Swivel-Hoist-Ring
Standard	EN	Material	Alloy Steel Forging

Weight / Size

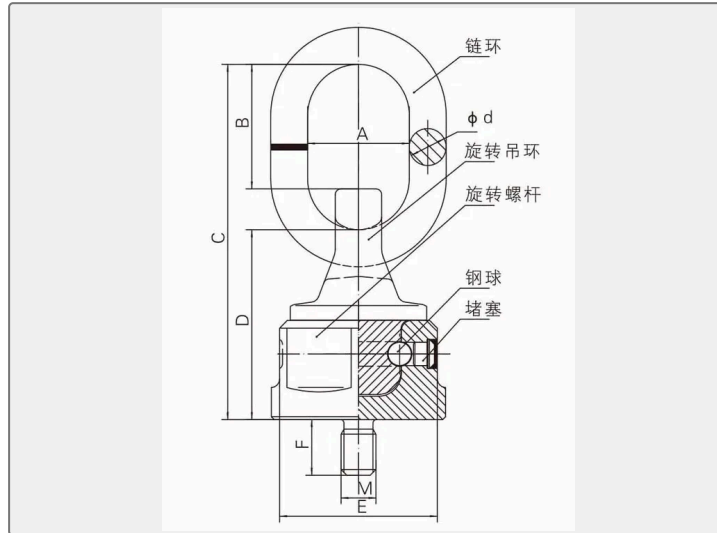
Metric Model Load WLL(T) Unit
 (mm) Weight (kg) A B C D E
 d F M8X1.25-6g 0.4 27 39 85 38
 33.3 7.9 12 0.27 M10X1.5-6g 0.5
 27 39 85 38 33.3 7.9 19 0.27
 M12X1.75-6g 1.05 35 58 135 65
 54.3 12.7 19.1 1.2 M14X2.0-6g
 1.05 35 58 135 65 54.3 12.7 31.8
 1.2 M16X2.0-6g 1.9 35 58 135 65
 54.3 12.7 31.8 1.2 M20X2.5-6g
 2.15 40 67 160 75.5 64.3 19.1
 38.1 2.21 M22X2.5-6g 2.25 40 67
 160 75.5 64.3 19.1 38.1 2.21
 M24X3.0-6g 4.2 40 67 160 75.5
 64.3 19.1 38.1 2.21 M30X3.5-6g 5
 50.8 95 205 90 74 22.2 50 3.86
 M33X3.5-6g 7 50.8 95 205 90 74
 22.2 50 3.86 M36X4.0-6g 8 50.8
 95 205 90 74 22.2 54 3.86
 M39X4.0-6g 8 50.8 95 205 90 74
 22.2 58 3.86 M42X4.5-6g 10 63
 108 230 100 85 25 63 6.08
 M45X4.5-6g 10 63 108 230 100 85
 25 68 6.08 M48X5.0-6g 10 63 108
 230 100 85 25 68 6.08 M56X5.5-
 6g 15 70 120 278 132 95 32 84
 10.8 M60X5.5-6g 15 70 120 278
 132 95 32 90 10.8 M64X6.0-6g 15
 70 120 278 132 95 32 95 10.8
 M72 25 80 125 331 166 130 40
 108 27 M90 35 80 125 331 166
 130 40 135 31 English Model Load
 Unit (mm) Weight (kg)
 WLL(LBS) A B C D E d F
 5/16"-18UNC-2A 800 27 39 85 38
 33.3 7.9 12.7 0.27 3/8"-16UNC-2A
 1000 27 39 85 38 33.3 7.9 12.7
 0.27 7/16"-14UNC-2A 2000 35 58
 135 65 54.3 12.7 19.1 1.2
 1/2"-13UNC-2A 2500 35 58 135 65
 54.3 12.7 19.1 1.2 5/8"-11UNC-2A
 4000 35 58 135 65 54.3 12.7 25.4
 1.2 3/4"-10UNC-2A 5000 40 67
 160 75.5 64.3 19.1 31.8 2.21
 1"-8UNC-2A 10000 40 67 160 75.5
 64.3 19.1 38.1 2.21 1-1/4"-7UNC-
 2A 11000 50.8 95 205 90 74 22.2
 50.8 3.86 1-1/2"-6UNC-2A 17600
 50.8 95 205 90 74 22.2 54 3.86
 2"-4.5UNC-2A 22000 65 108 230
 100 85 25 76.2 6.08 2-1/2"-4UNC-

Certificate

ABS, LR, BV, DNVGL, NK, KR,
 IRS, RMRS, CCS

	2A 33000 70 120 278 132 95 32 101.6 10.8		
Warranty	12 Months unless specified otherwise	Origin	China

China Swivel Hoist Ring:



Metric Model	Load WLL(T)	Unit (mm)							Weight (kg)
		A	B	C	D	E	d	F	
M8X1.25-6g	0.4	27	39	85	38	33.3	7.9	12	0.27
M10X1.5-6g	0.5	27	39	85	38	33.3	7.9	19	0.27
M12X1.75-6g	1.05	35	58	135	65	54.3	12.7	19.1	1.2
M14X2.0-6g	1.05	35	58	135	65	54.3	12.7	31.8	1.2
M16X2.0-6g	1.9	35	58	135	65	54.3	12.7	31.8	1.2
M20X2.5-6g	2.15	40	67	160	75.5	64.3	19.1	38.1	2.21
M22X2.5-6g	2.25	40	67	160	75.5	64.3	19.1	38.1	2.21
M24X3.0-6g	4.2	40	67	160	75.5	64.3	19.1	38.1	2.21
M30X3.5-6g	5	50.8	95	205	90	74	22.2	50	3.86
M33X3.5-6g	7	50.8	95	205	90	74	22.2	50	3.86
M36X4.0-6g	8	50.8	95	205	90	74	22.2	54	3.86
M39X4.0-6g	8	50.8	95	205	90	74	22.2	58	3.86
M42X4.5-6g	10	63	108	230	100	85	25	63	6.08
M45X4.5-6g	10	63	108	230	100	85	25	68	6.08
M48X5.0-6g	10	63	108	230	100	85	25	68	6.08
M56X5.5-6g	15	70	120	278	132	95	32	84	10.8

M60X5.5-6g	15	70	120	278	132	95	32	90	10.8
M64X6.0-6g	15	70	120	278	132	95	32	95	10.8
M72	25	80	125	331	166	130	40	108	27
M90	35	80	125	331	166	130	40	135	31
English Model	Load	Unit (mm)							Weight (kg)
WLL(LBS)	A	B	C	D	E	d	F		
5/16"-18UNC-2A	800	27	39	85	38	33.3	7.9	12.7	0.27
3/8"-16UNC-2A	1000	27	39	85	38	33.3	7.9	12.7	0.27
7/16"-14UNC-2A	2000	35	58	135	65	54.3	12.7	19.1	1.2
1/2"-13UNC-2A	2500	35	58	135	65	54.3	12.7	19.1	1.2
5/8"-11UNC-2A	4000	35	58	135	65	54.3	12.7	25.4	1.2
3/4"-10UNC-2A	5000	40	67	160	75.5	64.3	19.1	31.8	2.21
1"-8UNC-2A	10000	40	67	160	75.5	64.3	19.1	38.1	2.21
1-1/4"-7UNC-2A	11000	50.8	95	205	90	74	22.2	50.8	3.86
1-1/2"-6UNC-2A	17600	50.8	95	205	90	74	22.2	54	3.86
2"-4.5UNC-2A	22000	65	108	230	100	85	25	76.2	6.08
2-1/2"-4UNC-2A	33000	70	120	278	132	95	32	101.6	10.8