

# Jinbo Marine

Marine &amp; Offshore Equipment Datasheet

PRODUCT DATASHEET

## TURNBUCKLE

# Eye & Eye Turnbuckle HG-226, SS304 OR SS316

ISO9001 Supplier

Class Certificate

Export Supply

THREAD DIA.&amp; WORKING LOAD WEIGHT RATH DIMENSIONS(in.) TAKE UP (...)



### Key Highlights

Category	Turnbuckle
Standard	EN
Material	Stainless steel
Weight / Size	THREAD DIA.& WORKING LOAD WEIGHT RATH DIMENSIONS(in.) TAKE UP (in.) LIMI...
Certificate	ABS, LR, BV, DNVGL, NK, KR, IRS, RMRS, CCS

We can supply according to your requirement, drawings, class certificate needs, and delivery schedule.

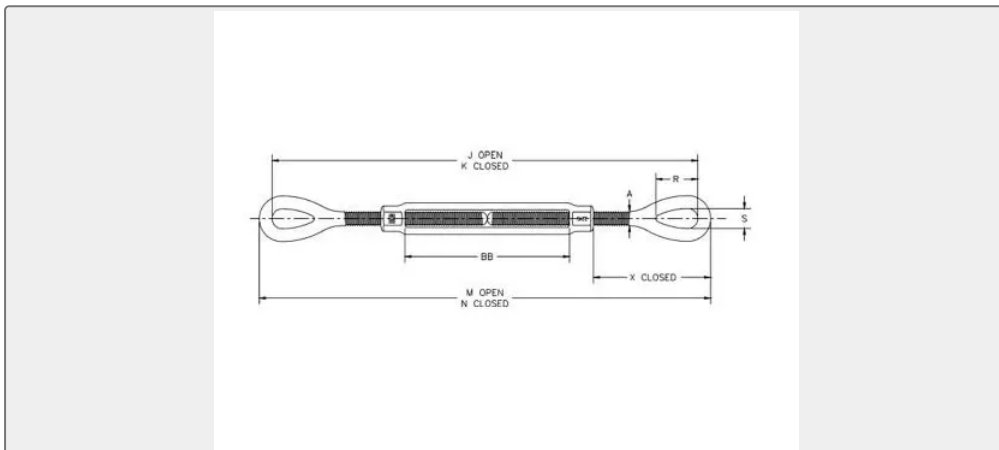
**Technical Specifications**

<b>Category</b>	Turnbuckle	<b>Model / SKU</b>	T-EYE-EYE-TURNBUCKLES-HG-226-SS304-OR-SS316
<b>Standard</b>	EN	<b>Material</b>	Stainless steel

Weight / Size	THREAD DIA.& WORKING LOAD WEIGHT RATH DIMENSIONS(in.) TAKE UP (in.) LIMIT (lbs)* (kg) A J OPEN K CLOSED M OPEN N CLOSED R S X CLOSED BB	Certificate	ABS, LR, BV, DNVGL, NK, KR, IRS, RMRS, CCS
	1/4x4 500 0.29 0.25 11.94 7.94		
	12.38 8.38 0.81 0.34 1.76 4.07		
	5/16x4-1/2 800 0.48 0.31 13.92		
	9.42 14.48 9.98 0.95 0.44 2.2 4.56		
	3/8x6 1200 0.75 0.38 17.56 11.56		
	18.24 12.24 1.13 0.53 2.48 6.1		
	1/2x6 2200 1.72 0.5 19.94 13.94		
	20.82 14.82 1.41 0.71 3.56 6.03		
	1/2x12 3500 2.63 0.5 32.23 20.23		
	33.11 21.11 1.41 0.71 3.54 12.36		
	5/8x6 3500 2.75 0.63 21.72 15.72		
	22.72 16.72 1.8 0.88 4.35 6.03		
	5/8x12 5200 4.12 0.63 34.06		
	22.06 35.06 23.06 1.8 0.88 4.34		
	12.39 3/4x6 5200 4.22 0.75 23.24		
	17.24 24.5 18.5 2.09 1 5.12 6.13		
	3/4x12 5200 6.12 0.75 35.64		
	23.64 36.9 24.9 2.09 1 5.09 12.59		
	3/4x18 7200 7.83 0.75 47.64		
	29.64 48.9 30.9 2.09 1 5.12 18.53		
	7/8x12 7200 8.83 0.88 36.7 24.7		
	38.2 26.2 2.38 1.25 5.79 12.16 7/8		
	x 18 10000 11.5 0.88 49.17 31.17		
	50.67 32.67 2.38 1.25 5.79 18.63		
	1x6 10000 9.62 1 26.24 20.24 28		
	22 3 1.43 6.5 6.18 1 x 12 10000		
	13 1 38.24 26.24 40 28 3 1.43 6.5		
	12.18 1 x 18 10000 16.3 1 50.24		
	32.24 52 34 3 1.43 6.5 18.18 1		
	x24 15200 20.2 1 62.84 38.84		
	64.6 40.6 3 1.43 6.47 24.84 1-		
	1/4x12 15200 19.9 1.25 42.14		
	30.14 44.38 32.38 3.59 1.82 8.49		
	12.06 1-1/4x18 15200 23.8 1.25		
	54.14 36.14 56.38 38.38 3.59 1.82		
	8.49 18.06 1-1/4x24 21400 27.8		
	1.25 66.7 42.7 68.94 44.94 3.59		
	1.82 8.49 24.62 1-1/2x12 21400		
	28.7 1.5 44.24 32.24 46.74 34.74		
	4.09 2.12 9.46 12.32 1-1/2x18		
	21400 34.1 1.5 56.24 38.24 58.74		
	40.74 4.09 2.12 9.46 18.32 1-		
	1/2x24 28000 39.6 1.5 68.86		
	44.86 71.36 47.36 4.09 2.12 9.46		
	24.94 1-3/4x18 28000 50.7 1.75		
	57.38 39.38 60.38 42.38 4.65 2.38		
	9.97 18.37 1 -3/4 x 24 28000 58.2		

	1.75 69.38 45.38 72.38 48.38 4.65 2.38 9.97 24.37 2x24 37000 83.5 2 75.68 51.68 79.18 55.18 5.81 2.69 13.03 27.48 2-1/2x24 60000 149 2.5 79.18 55.18 83.18 59.18 6.49 3.12 13.76 24.6 2-3/4x24 75000 174 2.75 81.34 57.34 85.84 61.84 7 3.25 15.09 24.65		
<b>Warranty</b>	12 Months unless specified otherwise	<b>Origin</b>	China

## China Eye & Eye Turnbuckle HG-226, SS304 OR SS316:



THREAD DIA.&	WORKING LOAD	WEIGHT RATH	DIMENSIONS(in.)	J OPE N	K CLOSE D	M OPE N	N CLOSE D	R	S	X CLOSE D	BB
1/4x4	500	0.29	0.25	11.94	7.94	12.38	8.38	0.81	0.34	1.76	4.07
5/16x4-1/2	800	0.48	0.31	13.92	9.42	14.48	9.98	0.95	0.44	2.2	4.56
3/8x6	1200	0.75	0.38	17.56	11.56	18.24	12.24	1.13	0.53	2.48	6.1
1/2x6	2200	1.72	0.5	19.94	13.94	20.82	14.82	1.41	0.71	3.56	6.03
1/2x12	3500	2.63	0.5	32.23	20.23	33.11	21.11	1.41	0.71	3.54	12.36
5/8x6	3500	2.75	0.63	21.72	15.72	22.72	16.72	1.8	0.88	4.35	6.03
5/8x12	5200	4.12	0.63	34.06	22.06	35.06	23.06	1.8	0.88	4.34	12.39

3/4x6	5200	4.22	0.75	23.24	17.24	24.5	18.5	2.09	1	5.12	6.13
3/4x12	5200	6.12	0.75	35.64	23.64	36.9	24.9	2.09	1	5.09	12.59
3/4x18	7200	7.83	0.75	47.64	29.64	48.9	30.9	2.09	1	5.12	18.53
7/8x12	7200	8.83	0.88	36.7	24.7	38.2	26.2	2.38	1.25	5.79	12.16
7/8 x 18	10000	11.5	0.88	49.17	31.17	50.67	32.67	2.38	1.25	5.79	18.63
1x6	10000	9.62	1	26.24	20.24	28	22	3	1.43	6.5	6.18
1 x 12	10000	13	1	38.24	26.24	40	28	3	1.43	6.5	12.18
1 x 18	10000	16.3	1	50.24	32.24	52	34	3	1.43	6.5	18.18
1 x24	15200	20.2	1	62.84	38.84	64.6	40.6	3	1.43	6.47	24.84
1-1/4x12	15200	19.9	1.25	42.14	30.14	44.38	32.38	3.59	1.82	8.49	12.06
1-1/4x18	15200	23.8	1.25	54.14	36.14	56.38	38.38	3.59	1.82	8.49	18.06
1-1/4x24	21400	27.8	1.25	66.7	42.7	68.94	44.94	3.59	1.82	8.49	24.62
1-1/2x12	21400	28.7	1.5	44.24	32.24	46.74	34.74	4.09	2.12	9.46	12.32
1-1/2x18	21400	34.1	1.5	56.24	38.24	58.74	40.74	4.09	2.12	9.46	18.32
1-1/2x24	28000	39.6	1.5	68.86	44.86	71.36	47.36	4.09	2.12	9.46	24.94
1-3/4x18	28000	50.7	1.75	57.38	39.38	60.38	42.38	4.65	2.38	9.97	18.37
1 -3/4 x 24	28000	58.2	1.75	69.38	45.38	72.38	48.38	4.65	2.38	9.97	24.37
2x24	37000	83.5	2	75.68	51.68	79.18	55.18	5.81	2.69	13.03	27.48
2-1/2x24	60000	149	2.5	79.18	55.18	83.18	59.18	6.49	3.12	13.76	24.6
2-3/4x24	75000	174	2.75	81.34	57.34	85.84	61.84	7	3.25	15.09	24.65