

Jinbo Marine

Marine & Offshore Equipment Datasheet

PRODUCT DATASHEET

MARINE KITCHEN GALLEY

TB-312 Marine Vegetable Cutter

TB-312 Marine Vegetable Cutter 1. Aluminum alloy body 2. Random with blade 3. It can be shredded, sliced, diced, etc. 4. High work efficiency 5. Simple operation, easy maintenance, easy cleaning 6. Suction cup...

ISO9001 Supplier

Class Certificate

Export Supply



Key Highlights

Category	Marine Kitchen Galley
Standard	EN
Material	SS
Weight / Size	Suction cup foot fixed TB-312 Marine Vegetable Cutter Drawing TB-312 Mar...
Certificate	ABS, LR, BV, DNVGL, NK, KR, IRS, RMRS, CCS

We can supply according to your requirement, drawings, class certificate needs, and delivery schedule.

Technical Specifications

Category	Marine Kitchen Galley	Model / SKU	TB-312-Marine-Vegetable-Cutter
Standard	EN	Material	SS
Weight / Size	Suction cup foot fixed TB-312 Marine Vegetable Cutter Drawing TB-312 Marine Vegetable Cutter Parameters Model QCJ300 TB-312 Voltage 220v-1PH-50Hz/60Hz Power(kw) 0.55 0.75 Size(mm) 230X570X510 750X520X900 Weight(kg) 22.5 40	Certificate	ABS, LR, BV, DNVGL, NK, KR, IRS, RMRS, CCS
Warranty	12 Months unless specified otherwise	Origin	China

CONTENTS

- TB-312 Marine Vegetable Cutter
- TB-312 Marine Vegetable Cutter Parameters
- TB-312 Marine Vegetable Cutter Drawing

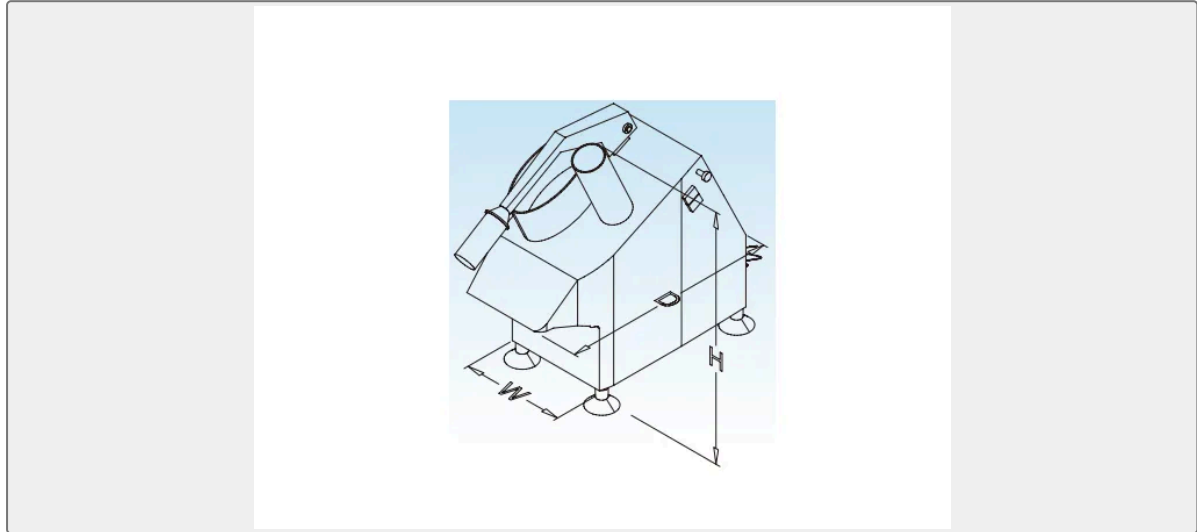


0.067896s

TB-312 Marine Vegetable Cutter

1. Aluminum alloy body
2. Random with blade
3. It can be shredded, sliced, diced, etc.
4. High work efficiency
5. Simple operation, easy maintenance, easy cleaning
6. Suction cup foot fixed

TB-312 Marine Vegetable Cutter Drawing



TB-312 Marine Vegetable Cutter Parameters

Model	QCJ300	TB-312
Voltage	220v-1PH-50Hz/60Hz	
Power(kw)	0.55	0.75
Size(mm)	230X570X510	750X520X900
Weight(kg)	22.5	40