

Jinbo Marine

Marine & Offshore Equipment Datasheet

PRODUCT DATASHEET

MARINE LED LIGHT

TBYA10-2GL LED Corner Light

Application Applied to military ship and ship illumination of dry cabin, such as the accommodation, passage way, retiring room and so on. Product Feature 1. Shell adopts good quality steel plate. ...

ISO9001 Supplier

Class Certificate

Export Supply



Key Highlights

Category	Marine LED Light
Standard	GB
Material	Shell adopts good quality steel plate.
Weight / Size	Specification Type Voltage Power Replacement Liminous Flux CT Weight T...
Certificate	ABS, LR, BV, DNVGL, NK, KR, IRS, RMRS, CCS

We can supply according to your requirement, drawings, class certificate needs, and delivery schedule.

Technical Specifications

Category	Marine LED Light	Model / SKU	TBYA10-2GL-LED-Corner-Light
Standard	GB	Material	Shell adopts good quality steel plate.
Weight / Size	Specification Type Voltage Power Replacement Liminous Flux CT Weight TBYA10-2GL 110/220V 50/60Hz <=10W 2x18W Fluorescent Lamp 1300lm 3000-6500K 2.4kg TBYA10-2ML <=10W 2x18W Fluorescent Lamp 1600lm 3000-6500K 2.4kg	Certificate	ABS, LR, BV, DNVGL, NK, KR, IRS, RMRS, CCS
Warranty	12 Months unless specified otherwise	Origin	China

China TBYA10-2GL LED Corner Light:

Application

Applied to military ship and ship illumination of dry cabin, such as the accommodation, passage way, retiring room and so on.

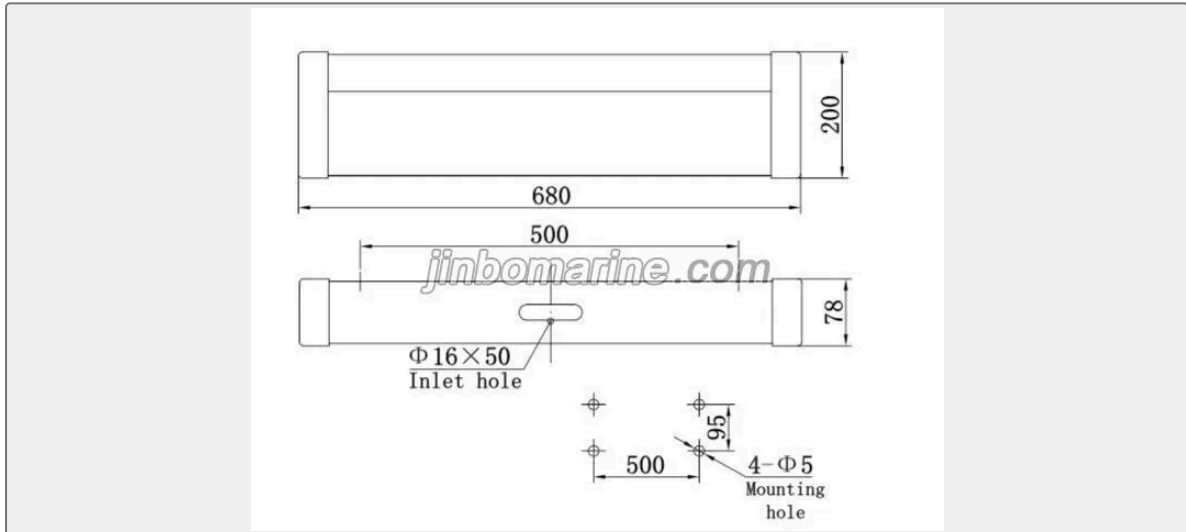
Product Feature

1. Shell adopts good quality steel plate.
2. Lampshade is made of milky white organic glass.
3. LED Light Source, light soft, no glare, supper high uniformity and visual comfort, color \geq 80%, light rate $>$ 70%, life time 30000h,energy saving 50%, new green environmental product, easy installation, general G12 lamp holder.
4. Environment temperature I s -20-45degree within the scope of work.
5. Protection class is IP22.

Standard

1. Chapter 3, Part 4 of Classification Society Rules for Classification of Sea-going Steel Ships 2015 and its Amendments;
2. GB7000.1-2015 , Luminaires –Part1:General requirements and tests.

Specification



Type	Voltage	Power	Replacement	Liminous Flux	CT	Weight
TBYA10-2GL	110/220V 50/60Hz	\leq 10W	2x18W Fluorescent Lamp	1300lm	3000-6500K	2.4kg
TBYA10-2ML		\leq 10W	2x18W Fluorescent Lamp	1600lm	3000-6500K	2.4kg