

Jinbo Marine

Marine & Offshore Equipment Datasheet

PRODUCT DATASHEET

MARINE FLUORESCENT LIGHTS

TBYB108-KC Fluorescent Mirror Light

Application Applied to illumination of cabin in military ship and ship, such cabin, shower room, toilet and so on. Standard 1. Chapter 3, Part 4 of Classification Society Rules for Classificatio...

ISO9001 Supplier

Class Certificate

Export Supply



Key Highlights

Category	Marine Fluorescent Lights
Standard	GB
Material	Chapter 3, Part 4 of Classification Society Rules for Classification of ...
Weight / Size	Specification Type Voltage Power Lamp Holder Size Weight TBYB108-KC 110/...
Certificate	ABS, LR, BV, DNVGL, NK, KR, IRS, RMRS, CCS

We can supply according to your requirement, drawings, class certificate needs, and delivery schedule.

Technical Specifications

Category	Marine Fluorescent Lights	Model / SKU	TBYB108-KC-Fluorescent-Mirror-Light
Standard	GB	Material	Chapter 3, Part 4 of Classification Society Rules for Classification of Sea-going Steel Ships 2015 and its Amendments;
Weight / Size	Specification Type Voltage Power Lamp Holder Size Weight TBYB108-KC 110/220V 50/60Hz 8W G5 410x270 1.7kg TBYB15-KC 15W G13 486x330 2.4kg TBYB20-KC 18W G13 638x562 2.4kg	Certificate	ABS, LR, BV, DNVGL, NK, KR, IRS, RMRS, CCS
Warranty	12 Months unless specified otherwise	Origin	China

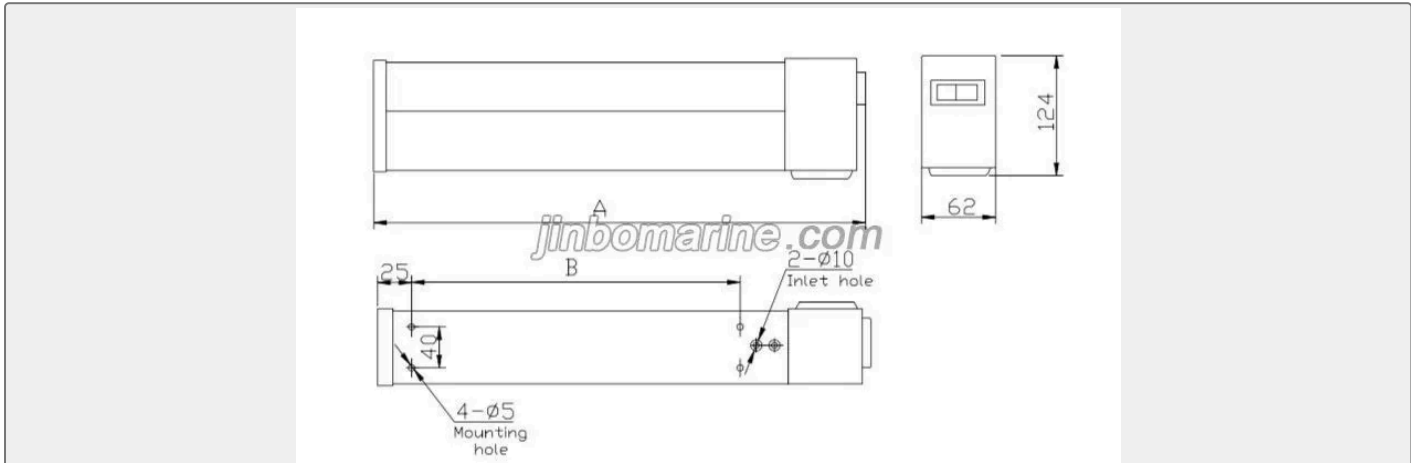
Application

Applied to illumination of cabin in military ship and ship, such cabin, shower room, toilet and so on.

Standard

1. Chapter 3, Part 4 of Classification Society Rules for Classification of Sea-going Steel Ships 2015 and its Amendments;
2. GB7000.1-2015 , Luminaires –Part1:General requirements and tests.

Specification



Type	Voltage	Power	Lamp Holder	Size	Weight
TBYB108-KC	110/220V 50/60Hz	8W	G5	410x270	1.7kg
TBYB15-KC		15W	G13	486x330	2.4kg
TBYB20-KC		18W	G13	638x562	2.4kg