

Jinbo Marine

Marine & Offshore Equipment Datasheet

PRODUCT DATASHEET

MARINE LED LIGHT

TCYA10-2GL LED Pendant Light

Application Applied to illumination of water dripping, water spattering, water coagulating place in military ship and ship, such as dry cabin, deck, outer and weather deck etc. Product

Feature 1. Shell ...

ISO9001 Supplier

Class Certificate

Export Supply



Key Highlights

Category	Marine LED Light
Standard	EN
Material	Shell uses good quality steel plate.
Weight / Size	Standard Type Voltage Power Replacement Liminous Flux CT Material Size W...
Certificate	ABS, LR, BV, DNVGL, NK, KR, IRS, RMRS, CCS

We can supply according to your requirement, drawings, class certificate needs, and delivery schedule.

Technical Specifications

Category	Marine LED Light	Model / SKU	TCYA10-2GL-LED-Pendant-Light
Standard	EN	Material	Shell uses good quality steel plate.
Weight / Size	Standard Type Voltage Power Replacement Liminous Flux CT Material Size Weight TCYA10-2GL 110/220V 50/60Hz <=2x10W 2x18W Fluorescent Lamp 1700lm 3000-6500K Steel/SS 725x705 3.6kg TCYA20-2GL <=2x20W 2x36W Fluorescent Lamp 3600lm 3000-6500K steel 1365x1335 5.0kg	Certificate	ABS, LR, BV, DNVGL, NK, KR, IRS, RMRS, CCS
Warranty	12 Months unless specified otherwise	Origin	China



CONTENTS

■ Application

■ Standard

■ Product Feature

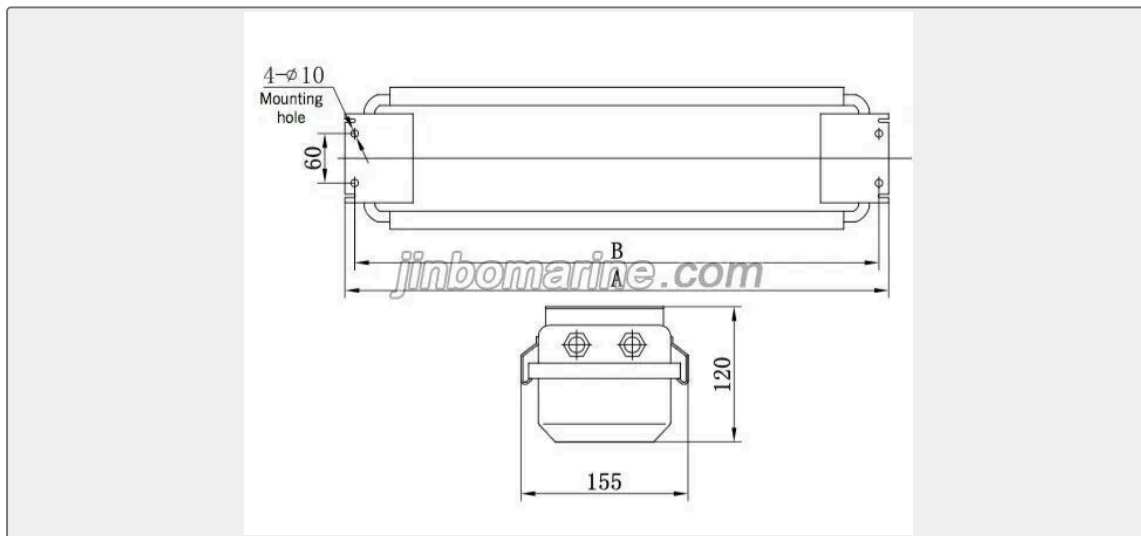
Application

Applied to illumination of water dripping, water spattering, water coagulating place in military ship and ship, such as dry cabin, deck, outer and weather deck etc.

Product Feature

1. Shell uses good quality steel plate.
2. Lampshade uses injection of AS with metal guard.
3. LED Light Source, light soft, no glare, supper high uniformity and visual comfort, color \geq 80%, light rate $>$ 70%, life time 30000h,energy saving 50%, new green environmental product, easy installation, general G12 lamp holder.
4. Environment temperature I s -20-40degree within the scope of work.
5. Protection class is IP56.
6. Outdoor light should e use stainless steel body.

Standard



Type	Voltage	Power	Replaceme nt	Liminous Flux	CT	Material	Size	Weight
TCYA10- 2GL	110/220V 50/60Hz	\leq 2x10W	2x18W Fluorescent Lamp	1700lm	3000- 6500K	Steel/SS	725x705	3.6kg
TCYA20- 2GL		\leq 2x20W	2x36W Fluorescent Lamp	3600lm	3000- 6500K	steel	1365x1335	5.0kg