

Jinbo Marine

Marine & Offshore Equipment Datasheet

PRODUCT DATASHEET

MARINE LED LIGHT

TCYA10-2ML LED Pendant Light

Application Applied to illumination of water dripping, water spattering, water coagulating place in military ship and ship, such as dry cabin, deck, outer and weather deck etc. Product Feature 1. Shell ...

ISO9001 Supplier

Class Certificate

Export Supply

	Key Highlights	
	Category	Marine LED Light
	Standard	GB
	Material	Shell uses good quality steel plate.
	Weight / Size	Specification Type Voltage Power Replacement Liminous Flux CT Material S...
	Certificate	ABS, LR, BV, DNVGL, NK, KR, IRS, RMRS, CCS
		We can supply according to your requirement, drawings, class certificate needs, and delivery schedule.

Technical Specifications			
Category	Marine LED Light	Model / SKU	TCYA10-2ML-LED-Pendant-Light
Standard	GB	Material	Shell uses good quality steel plate.
Weight / Size	Specification Type Voltage Power Replacement Liminous Flux CT Material Size Weight TCYA10-2ML 110/220V 50/60Hz <=2x10W 2x18W Fluorescent Lamp 2050lm 3000-6500K Steel/SS 725x705 4.0kg TCYA20-2ML <=2x20W 2x36W Fluorescent Lamp 4100lm 3000-6500K steel 1365x1335 5.6kg	Certificate	ABS, LR, BV, DNVGL, NK, KR, IRS, RMRS, CCS
Warranty	12 Months unless specified otherwise	Origin	China



CONTENTS	■ Application	■ Product Feature
	■ Standard	■ Specification

Application

Applied to illumination of water dripping, water spattering, water coagulating place in military ship and ship, such as dry cabin, deck, outer and weather deck etc.

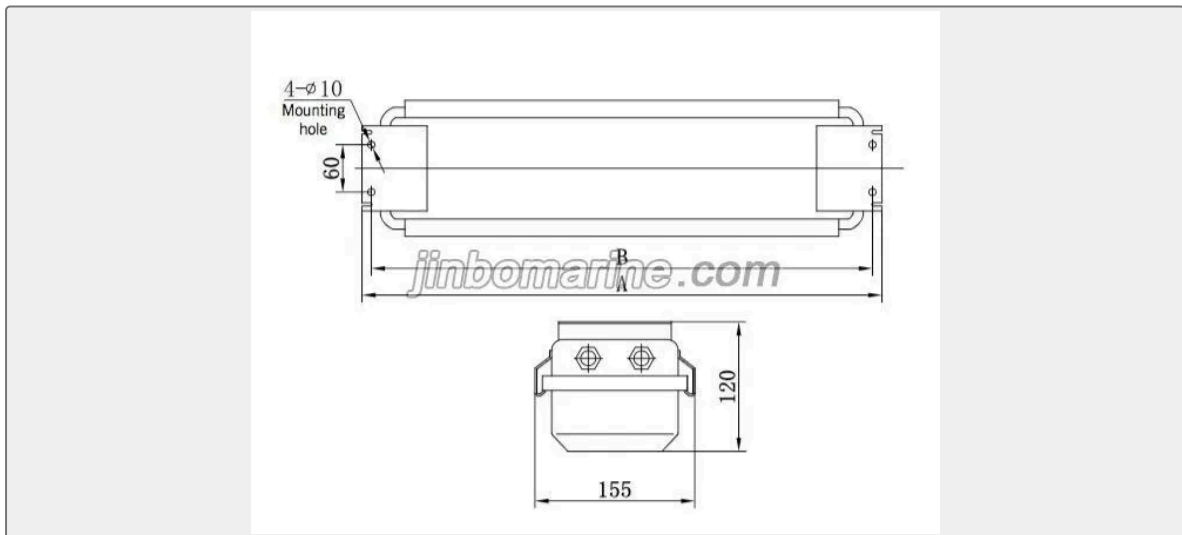
Product Feature

1. Shell uses good quality steel plate.
2. Lampshade uses injection of AS with metal guard.
3. LED Light Source, light soft, no glare, supper high uniformity and visual comfort, color \geq 80%, light rate $>$ 70%, life time 30000h,energy saving 50%, new green environmental product, easy installation, general G12 lamp holder.
4. Environment temperature I s -20-40degree within the scope of work.
5. Protection class is IP56.
6. Outdoor light should e use stainless steel body.

Standard

1. Chapter 3, Part 4 of Classification Society Rules for Classification of Sea-going Steel Ships 2015 and its Amendments;
- 2.GB7000.1-2015 , Luminaires –Part1:General requirements and tests.

Specification



Type	Voltage	Power	Replaceme nt	Liminous Flux	CT	Material	Size	Weight
------	---------	-------	--------------	---------------	----	----------	------	--------



TCYA10-2ML	110/220V 50/60Hz	<=2x10W	2x18W Fluorescent Lamp	2050lm	3000- 6500K	Steel/SS	725x705	4.0kg
TCYA20-2ML		<=2x20W	2x36W Fluorescent Lamp	4100lm	3000- 6500K	steel	1365x1335	5.6kg