

# Jinbo Marine

Marine &amp; Offshore Equipment Datasheet

PRODUCT DATASHEET

## MARINE LED LIGHT

## TCYA12-2AGL LED Pendant Light

Application Applied to illumination of water dripping, water spattering, water coagulating place in military ship and ship, such as dry cabin, deck, outer and weather deck etc. Product

Feature 1. Shell ...

ISO9001 Supplier

Class Certificate

Export Supply



### Key Highlights

Category	Marine LED Light
Standard	GB
Material	Shell uses good quality steel plate.
Weight / Size	Specification Type Voltage Power Replacement Liminous Flux CT Material S...
Certificate	ABS, LR, BV, DNVGL, NK, KR, IRS, RMRS, CCS

We can supply according to your requirement, drawings, class certificate needs, and delivery schedule.

### Technical Specifications

Category	Marine LED Light	Model / SKU	TCYA12-2AGL-LED-Pendant-Light
Standard	GB	Material	Shell uses good quality steel plate.
Weight / Size	Specification Type Voltage Power Replacement Liminous Flux CT Material Size Weight TCYA12-2AGL 110/220V 50/60Hz <=2x10W 2x18W Fluorescent Lamp 1700lm 3000-6500K Steel/SS 680x450 2.9kg TCYA22-2AGL <=2x20W 2x36W Fluorescent Lamp 3600lm 3000-6500K steel 1330x1100 4.4kg	Certificate	ABS, LR, BV, DNVGL, NK, KR, IRS, RMRS, CCS
Warranty	12 Months unless specified otherwise	Origin	China



**CONTENTS**

- Application
- Standard

- Product Feature
- Specification

## Application

Applied to illumination of water dripping, water spattering, water coagulating place in military ship and ship, such as dry cabin, deck, outer and weather deck etc.

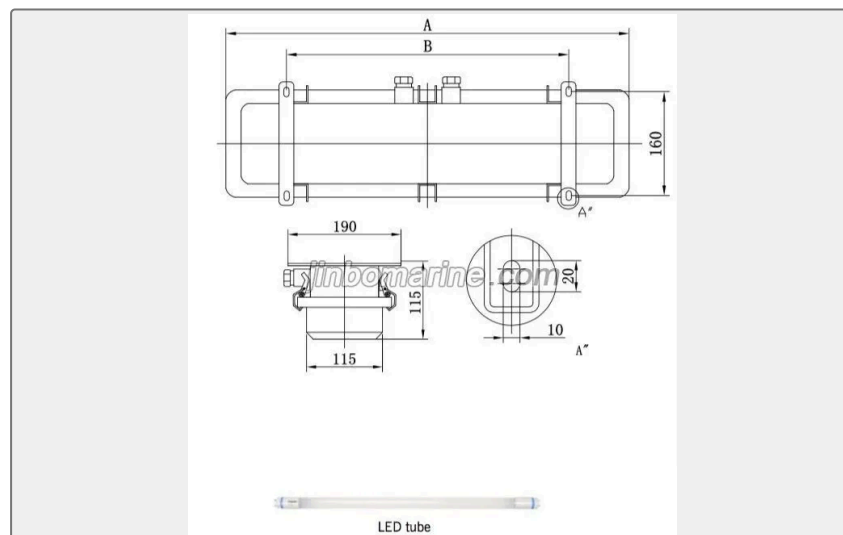
## Product Feature

1. Shell uses good quality steel plate.
2. Lampshade uses injection of AS with metal guard.
3. LED Light Source, light soft, no glare, supper high uniformity and visual comfort, color $\geq$ 80%, light rate $>$ 70%, life time 30000h,energy saving 50%, new green environmental product, easy installation, general G12 lamp holder.
4. Environment temperature I s -20-40degree within the scope of work.
5. Protection class is IP56.
6. Outdoor light should e use stainless steel body.

## Standard

1. Chapter 3, Part 4 of Classification Society Rules for Classification of Sea-going Steel Ships 2015 and its Amendments;
- 2.GB7000.1-2015 , Luminaires –Part1:General requirements and tests.

## Specification



Type	Voltage	Power	Replacement	Luminous Flux	CT	Material	Size	Weight



TCYA12-2AGL	110/220V 50/60Hz	<=2x10W	2x18W Fluorescent Lamp	1700lm	3000- 6500K	Steel/SS	680x450	2.9kg
TCYA22-2AGL		<=2x20W	2x36W Fluorescent Lamp	3600lm	3000- 6500K	steel	1330x1100	4.4kg