

# Jinbo Marine

Marine &amp; Offshore Equipment Datasheet

PRODUCT DATASHEET

## MARINE LED LIGHT

## TCYC10-GL LED Pendant Light

Application Applied to illumination of water dripping, water spattering, water coagulating place in military ship and ship, such as dry cabin, deck, outer and weather deck etc. Product

Feature 1. Shell ...

ISO9001 Supplier

Class Certificate

Export Supply

	Key Highlights	
	<b>Category</b>	Marine LED Light
	<b>Standard</b>	GB
	<b>Material</b>	Shell uses good quality steel plate.
	<b>Weight / Size</b>	Specification Type Voltage Power Replacement Liminous Flux CT Material W...
<b>Certificate</b>	ABS, LR, BV, DNVGL, NK, KR, IRS, RMRS, CCS	
		We can supply according to your requirement, drawings, class certificate needs, and delivery schedule.

### Technical Specifications

<b>Category</b>	Marine LED Light	<b>Model / SKU</b>	TCYC10-GL-LED-Pendant-Light
<b>Standard</b>	GB	<b>Material</b>	Shell uses good quality steel plate.
<b>Weight / Size</b>	Specification Type Voltage Power Replacement Liminous Flux CT Material Weight TCYC10-GL 110/220V 50/60Hz <=10W 2x18W Fluorescent Lamp 850lm 3000-6500K Steel/SS 2.0kg	<b>Certificate</b>	ABS, LR, BV, DNVGL, NK, KR, IRS, RMRS, CCS
<b>Warranty</b>	12 Months unless specified otherwise	<b>Origin</b>	China

#### CONTENTS

- Application
- Standard
- Product Feature
- Specification



## Application

Applied to illumination of water dripping, water spattering, water coagulating place in military ship and ship, such as dry cabin, deck, outer and weather deck etc.

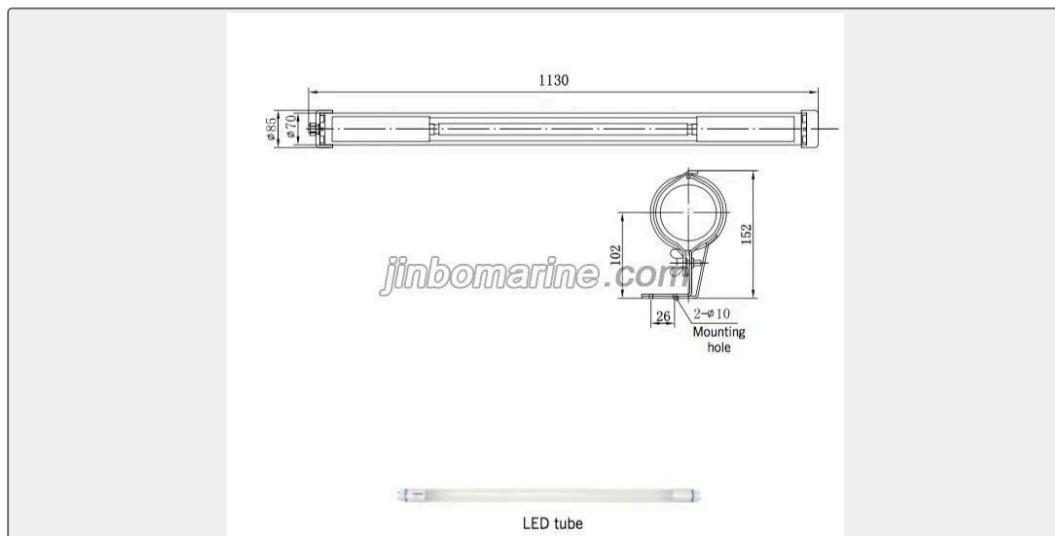
## Product Feature

1. Shell uses good quality steel plate.
2. Lampshade uses injection of AS with metal guard.
3. LED Light Source, light soft, no glare, super high uniformity and visual comfort, color $\geq$ 80%, light rate $>$ 70%, life time 30000h,energy saving 50%, new green environmental product, easy installation, general G12 lamp holder.
4. Environment temperature I s -20-40degree within the scope of work.
5. Protection class is IP56.
6. Outdoor light should e use stainless steel body.

## Standard

1. Chapter 3, Part 4 of Classification Society Rules for Classification of Sea-going Steel Ships 2015 and its Amendments;
- 2.GB7000.1-2015 , Luminaires –Part1:General requirements and tests.

## Specification



Type	Voltage	Power	Replacement	Liminous Flux	CT	Material	Weight
TCYC10-GL	110/220V 50/60Hz	$\leq$ 10W	2x18W Fluorescent Lamp	850lm	3000-6500K	Steel/SS	2.0kg