

# Jinbo Marine

Marine &amp; Offshore Equipment Datasheet

PRODUCT DATASHEET

## MARINE FLUORESCENT LIGHTS

# TPY20-2 Fluorescent Ceiling Light

Application Applied to illumination of water dripping, water spattering, water coagulating place in military ship and ship, such engine room, dry cabin, tunnel, pepeline and weater deck etc.

...

ISO9001 Supplier

Class Certificate

Export Supply



### Key Highlights

<b>Category</b>	Marine Fluorescent Lights
<b>Standard</b>	GB
<b>Material</b>	Shell is good quality steel plate.
<b>Weight / Size</b>	Specification Type Voltage Power Lamp Holder Weight TPY20-2 110/220V 50/...
<b>Certificate</b>	ABS, LR, BV, DNVGL, NK, KR, IRS, RMRS, CCS

We can supply according to your requirement, drawings, class certificate needs, and delivery schedule.

### Technical Specifications

<b>Category</b>	Marine Fluorescent Lights	<b>Model / SKU</b>	TPY20-2-Fluorescent-Ceiling-Light
<b>Standard</b>	GB	<b>Material</b>	Shell is good quality steel plate.
<b>Weight / Size</b>	Specification Type Voltage Power Lamp Holder Weight TPY20-2 110/220V 50/60Hz 18W G13 5.3kg TPY20-2E 5.4kg	<b>Certificate</b>	ABS, LR, BV, DNVGL, NK, KR, IRS, RMRS, CCS
<b>Warranty</b>	12 Months unless specified otherwise	<b>Origin</b>	China

## China TPY20-2 Fluorescent Ceiling Light:

### Application

Applied to illumination of water dripping, water spattering, water coagulating place in military ship and ship, such engine room, dry cabin, tunnel, pepeline and weater deck etc.

Protection Class	Application
IP20	Dry Living Cabin and dry control room
IP22	Sterring room, Refrigeator toom, emergency engine room, store room
IP34	Engine Room, boile room, steering gea room and aux machinery room
IP44	Bath roo, Machienry space, gallery and laundry
IP55	Engine room
IP56/IP66/IP67	Open Deck
IP68	Waterh deck and 20M underwater

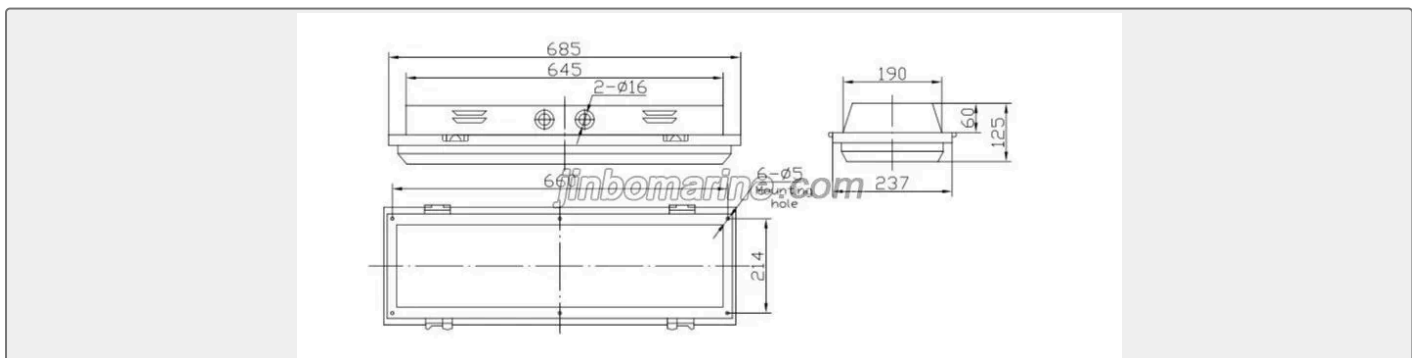
### Product Feature

1. Shell is good quality steel plate.
- 2.Lampshade adopts injection of AS with metal guard.
3. Environment temperature is -20-45 degree with the scope of work
4. Cable gland material: stainless steel, brass, bylon, protection class is IP56.
5. Stainless steel material should be selected for outdoor lighting.

### Standard

1. Chapter 3, Part 4 of Classification Society Rules for Classification of Sea-going Steel Ships 2015 and its Amendments;
- 2.GB7000.1-2015 , Luminaires –Part1:General requirements and tests.

### Specification



Type	Voltage	Power	Lamp Holder	Weight
TPY20-2	110/220V	18W	G13	5.3kg
TPY20-2E	50/60Hz			5.4kg

