

Jinbo Marine

Marine & Offshore Equipment Datasheet


PRODUCT DATASHEET

MARINE LED LIGHT

TPYA10-2ML LED Ceiling Light

Application Applied to military ship and ship illumination of dry cabin, such as the accommodation, passage way, retiring room and so on. Product Feature 1. Shell adopts good quality steel plate. 2...

- ISO9001 Supplier
- Class Certificate
- Export Supply



Key Highlights

Category	Marine LED Light
Standard	GB
Material	Shell adopts good quality steel plate.
Weight / Size	Specification Type Voltage Power Replacement Liminous Flux CT Material S...
Certificate	ABS, LR, BV, DNVGL, NK, KR, IRS, RMRS, CCS

We can supply according to your requirement, drawings, class certificate needs, and delivery schedule.

Technical Specifications			
Category	Marine LED Light	Model / SKU	TPYA10-2ML-LED-Ceiling-Light
Standard	GB	Material	Shell adopts good quality steel plate.
Weight / Size	Specification Type Voltage Power Replacement Liminous Flux CT Material Size Weight TPYA10-2ML 110/220V 50/60Hz <=2x10W 2x18W Fluorescent Lamp 1900lm 3000-6500K Steel/SS 636x600x674 4.6kg TPYA20-2ML <=2x20W 2x36W Fluorescent Lamp 4000lm 3000-6500K steel 1245x1200x1280 6.4kg	Certificate	ABS, LR, BV, DNVGL, NK, KR, IRS, RMRS, CCS
Warranty	12 Months unless specified otherwise	Origin	China

CONTENTS	■ Application	■ Product Feature
	■ Standard	■ Specification

Application

Applied to military ship and ship illumination of dry cabin, such as the accommodation, passage way, retiring room and so on.

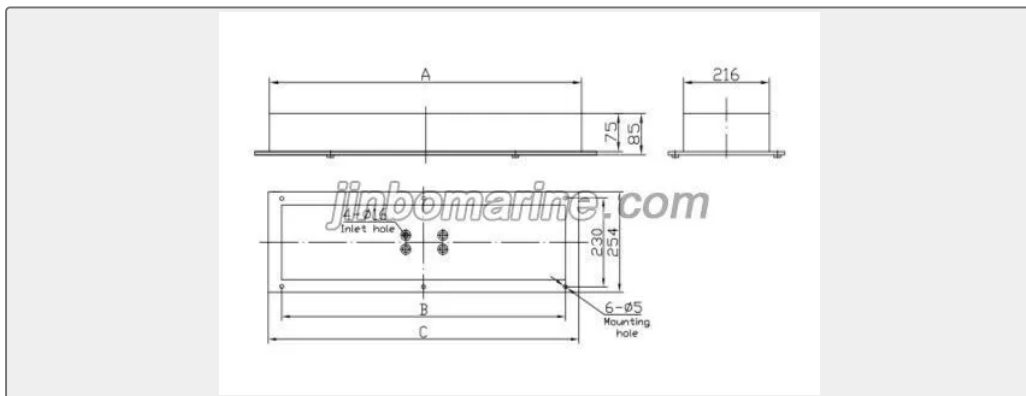
Product Feature

1. Shell adopts good quality steel plate.
2. Lampshade is made of milky white organic glass.
3. LED Light Source, light soft, no glare, supper high uniformity and visual comfort, color \geq 80%, light rate $>$ 70%, life time 30000h,energy saving 50%, new green environmental product, easy installation, general G12 lamp holder.
4. Environment temperature I s -20-45degree within the scope of work.
5. Protection class is IP22.

Standard

1. Chapter 3, Part 4 of Classification Society Rules for Classification of Sea-going Steel Ships 2015 and its Amendments;
2. GB7000.1-2015 , Luminaires –Part1:General requirements and tests.

Specification



Type	Voltage	Power	Replaceme nt	Liminous Flux	CT	Material	Size	Weight
TPYA10-2ML	110/220V 50/60Hz	\leq 2x10W	2x18W Fluorescent Lamp	1900lm	3000- 6500K	Steel/SS	636x600x6 74	4.6kg
TPYA20-2ML		\leq 2x20W	2x36W Fluorescent Lamp	4000lm	3000- 6500K	steel	1245x1200 x1280	6.4kg