

Jinbo Marine

Marine & Offshore Equipment Datasheet

PRODUCT DATASHEET

MARINE FLUORESCENT LIGHTS

TPYA20-2 Fluorescent Ceiling Light

Application Applied to illumination of water dripping, water spattering, water coagulating place in military ship and ship, such engine room, dry cabin, tunnel, pepeline and weater deck etc.

...

ISO9001 Supplier

Class Certificate

Export Supply



Key Highlights

Category	Marine Fluorescent Lights
Standard	GB
Material	Shell is good quality steel plate.
Weight / Size	Specification Type Voltage Power Lamp Holder Size Weight TPYA20-2 110/220V 50/60Hz 2x18W G13 636x600x674 6.2kg TPYA20-2E 6.4kg TPYA40-2 2x36W 1245x1200x1280 8.1kg TPYA40-2E 8.2kg
Certificate	ABS, LR, BV, DNVGL, NK, KR, IRS, RMRS, CCS

We can supply according to your requirement, drawings, class certificate needs, and delivery schedule.

Technical Specifications

Category	Marine Fluorescent Lights	Model / SKU	TPYA20-2-Fluorescent-Ceiling-Light
Standard	GB	Material	Shell is good quality steel plate.
Weight / Size	Specification Type Voltage Power Lamp Holder Size Weight TPYA20-2 110/220V 50/60Hz 2x18W G13 636x600x674 6.2kg TPYA20-2E 6.4kg TPYA40-2 2x36W 1245x1200x1280 8.1kg TPYA40-2E 8.2kg	Certificate	ABS, LR, BV, DNVGL, NK, KR, IRS, RMRS, CCS
Warranty	12 Months unless specified otherwise	Origin	China

China TPYA20-2 Fluorescent Ceiling Light:

Application

Applied to illumination of water dripping, water spattering, water coagulating place in military ship and ship, such engine room, dry cabin, tunnel, pipeline and weater deck etc.

Protection Class	Application
IP20	Dry Living Cabin and dry control room
IP22	Sterring room, Refrigeator toom, emergency engine room, store room
IP34	Engine Room, boile room, steering gea room and aux machinery room
IP44	Bath roo, Machienry space, gallery and laundry
IP55	Engine room
IP56/IP66/IP67	Open Deck
IP68	Waterh deck and 20M underwater

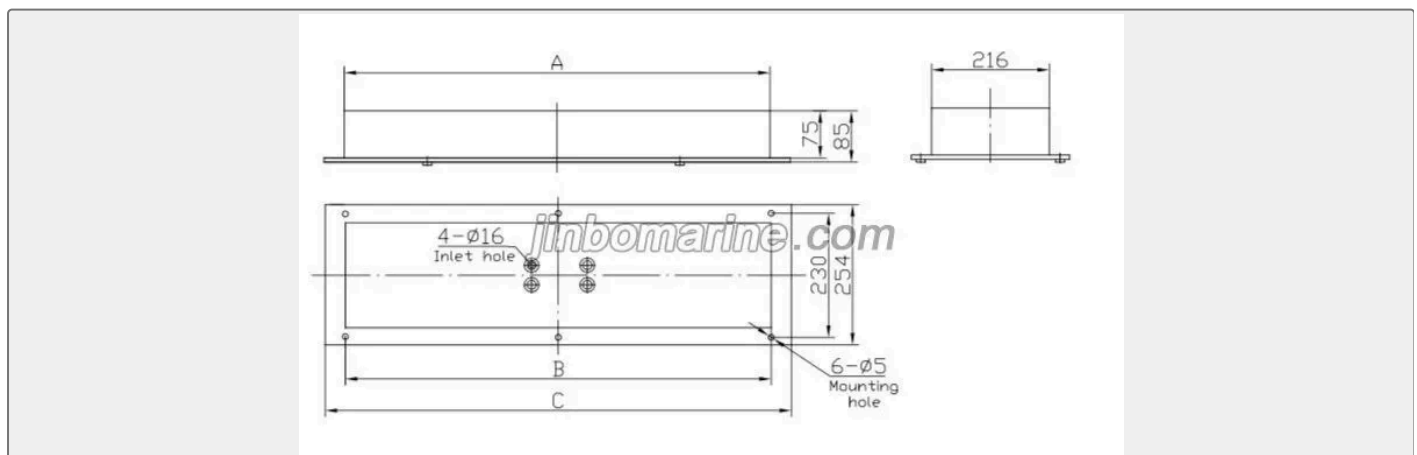
Product Feature

1. Shell is good quality steel plate.
2. Lampshade adopts injection of AS with metal guard.
3. Environment temperature is -20-45 degree with the scope of work
4. Cable gland material: stainless steel, brass, bylon, protection class is IP56.
5. Stainless steel material should be selected for outdoor lighting.

Standard

1. Chapter 3, Part 4 of Classification Society Rules for Classification of Sea-going Steel Ships 2015 and its Amendments;
2. GB7000.1-2015 , Luminaires –Part1:General requirements and tests.

Specification



Type	Voltage	Power	Lamp Holder	Size	Weight
TPYA20-2	110/220V 50/60Hz	2x18W	G13	636x600x674	6.2kg
TPYA20-2E					6.4kg
TPYA40-2		2x36W		1245x1200x1280	8.1kg
TPYA40-2E					8.2kg