

Jinbo Marine

Marine & Offshore Equipment Datasheet

PRODUCT DATASHEET

MARINE FLUORESCENT LIGHTS

TPYA20-Y Fluorescent Corner Light

Application Applied to illumination of water dripping, water spattering, water coagulating place in military ship and ship, such as the accommodation, retiring room, dining room and so on.

Product Feature ...

ISO9001 Supplier

Class Certificate

Export Supply



Key Highlights

Category	Marine Fluorescent Lights
Standard	DIN
Material	Shell is good quality steel plate.
Weight / Size	Specification Type Voltage Power Lamp Holder Size Weight TPYA20-Y 110/220V 50/60Hz 2x18W G13 684x500 2.9kg TPYA20-2 2.8kg TPYA20-2E 2x18W 684x500 2.9kg
Certificate	ABS, LR, BV, DNVGL, NK, KR, IRS, RMRS, CCS

We can supply according to your requirement, drawings, class certificate needs, and delivery schedule.

Technical Specifications

Category	Marine Fluorescent Lights	Model / SKU	TPYA20-Y-Fluorescent-Corner-Light
Standard	DIN	Material	Shell is good quality steel plate.
Weight / Size	Specification Type Voltage Power Lamp Holder Size Weight TPYA20-Y 110/220V 50/60Hz 2x18W G13 684x500 2.9kg TPYA20-2 2.8kg TPYA20-2E 2x18W 684x500 2.9kg	Certificate	ABS, LR, BV, DNVGL, NK, KR, IRS, RMRS, CCS
Warranty	12 Months unless specified otherwise	Origin	China

CONTENTS

- Application

- Product Feature

Application

Applied to illumination of water dripping, water spattering, water coagulating place in military ship and ship, such as the accommodation, retiring room, dining room and so on.

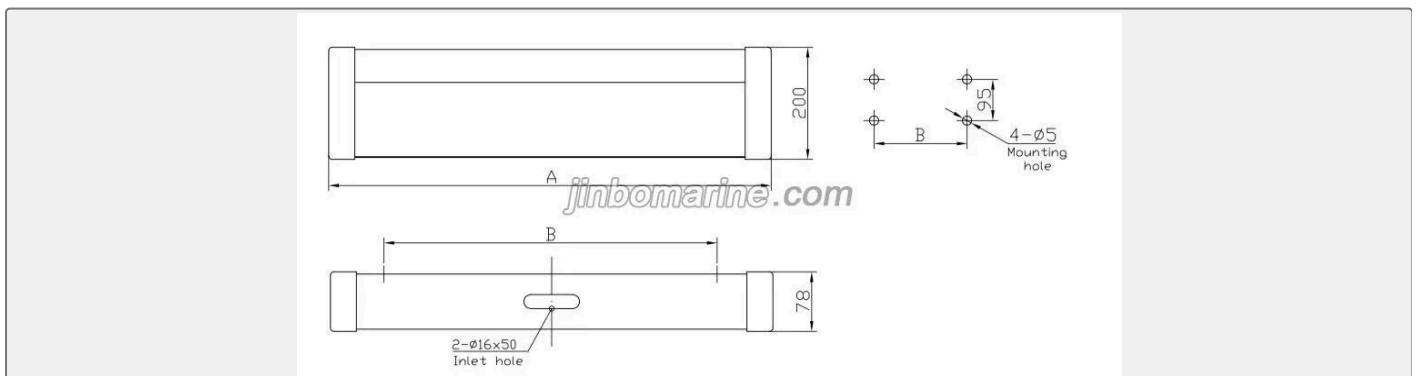
Product Feature

1. Shell is good quality steel plate.
2. Lampshade is made of organic glass.
3. Environment temperature is -20-45 degree with the scope of work.
4. Protection class is IP22.

Standard

1. Chapter 3, Part 4 of Classification Society Rules for Classification of Sea-going Steel Ships 2015 and its Amendments;
2. GB7000.1-2015 , Luminaires –Part1:General requirements and tests.

Specification



Type	Voltage	Power	Lamp Holder	Size	Weight
TPYA20-Y	110/220V 50/60Hz	2x18W	G13	684x500	2.9kg
TPYA20-2					2.8kg
TPYA20-2E		2x18W		684x500	2.9kg