

# Jinbo Marine

Marine & Offshore Equipment Datasheet

PRODUCT DATASHEET

## MARINE LED LIGHT

# TPYE10-2GL LED Ceiling Light

Application Applied to military ship and ship illumination of dry cabin, such as the accommodation, passage way, retiring room and so on. Product Feature 1. Shell adopts good quality steel plate. ...

ISO9001 Supplier

Class Certificate

Export Supply



### Key Highlights

<b>Category</b>	Marine LED Light
<b>Standard</b>	GB
<b>Material</b>	Shell adopts good quality steel plate.
<b>Weight / Size</b>	Specification Type Voltage Power Replacement Liminous Flux CT Material W...
<b>Certificate</b>	ABS, LR, BV, DNVGL, NK, KR, IRS, RMRS, CCS

We can supply according to your requirement, drawings, class certificate needs, and delivery schedule.

### Technical Specifications

<b>Category</b>	Marine LED Light	<b>Model / SKU</b>	TPYE10-2GL-LED-Ceiling-Light
<b>Standard</b>	GB	<b>Material</b>	Shell adopts good quality steel plate.
<b>Weight / Size</b>	Specification Type Voltage Power Replacement Liminous Flux CT Material Weight TPEY10-2GL 110/220V 50/60Hz <=2x10W 2x18W Fluorescent Lamp 1200lm 3000-6500K Steel/SS 4.8kg	<b>Certificate</b>	ABS, LR, BV, DNVGL, NK, KR, IRS, RMRS, CCS
<b>Warranty</b>	12 Months unless specified otherwise	<b>Origin</b>	China

## China TPEY10-2GL LED Ceiling Light:

### Application

Applied to military ship and ship illumination of dry cabin, such as the accommodation, passage way, retiring room and so on.

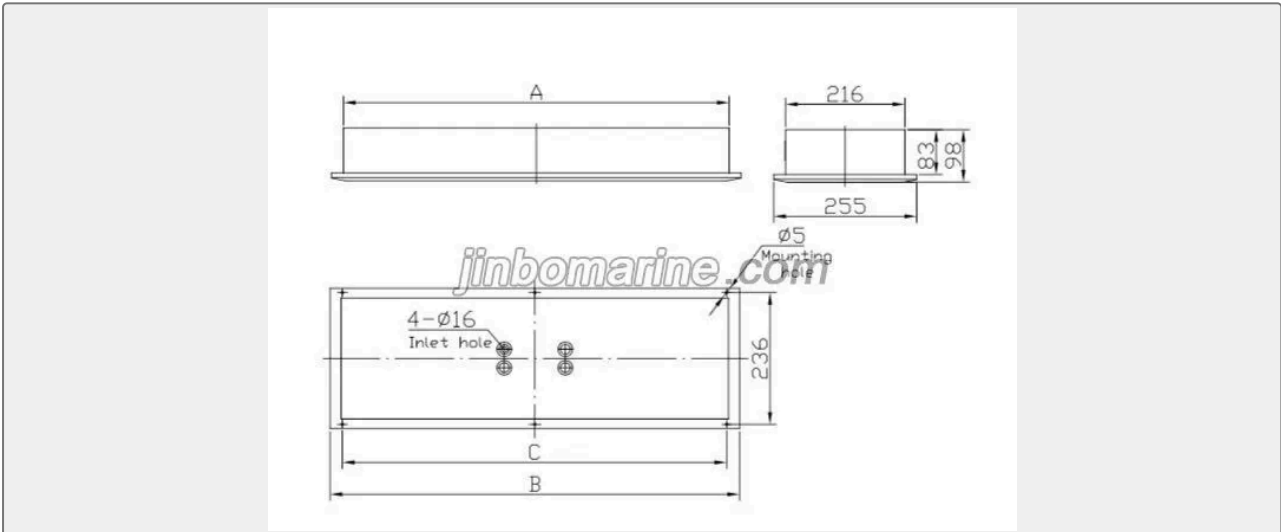
**Product Feature**

1. Shell adopts good quality steel plate.
2. Lampshade is made of milky white organic glass.
3. LED Light Source, light soft, no glare, supper high uniformity and visual comfort, color $\geq$ 80%, light rate $>$ 70%, life time 30000h,energy saving 50%, new green environmental product, easy installation, general G12 lamp holder.
4. Environment temperature I s -20-45degree within the scope of work.
5. Protection class is IP22.

**Standard**

1. Chapter 3, Part 4 of Classification Society Rules for Classification of Sea-going Steel Ships 2015 and its Amendments;
2. GB7000.1-2015 , Luminaires –Part1:General requirements and tests.

**Specification**



Type	Voltage	Power	Replacement	Liminous Flux	CT	Material	Weight
TPYE10-2GL	110/220V 50/60Hz	$\leq$ 2x10W	2x18W Fluorescent Lamp	1200lm	3000-6500K	Steel/SS	4.8kg