

Jinbo Marine

Marine & Offshore Equipment Datasheet

PRODUCT DATASHEET

MARINE LED LIGHT

TPYF10-2GL LED Ceiling Light

Application Applied to military ship and ship illumination of dry cabin, such as the accommodation, passage way, retiring room and so on. Product Feature 1. Shell adopts good quality steel plate. ...

ISO9001 Supplier

Class Certificate

Export Supply



Key Highlights

Category	Marine LED Light
Standard	GB
Material	Shell adopts good quality steel plate.
Weight / Size	Specification Type Voltage Power Replacement Liminous Flux CT Material S...
Certificate	ABS, LR, BV, DNVGL, NK, KR, IRS, RMRS, CCS

We can supply according to your requirement, drawings, class certificate needs, and delivery schedule.

Technical Specifications

Category	Marine LED Light	Model / SKU	TPYF10-2GL-LED-Ceiling-Light
Standard	GB	Material	Shell adopts good quality steel plate.
Weight / Size	Specification Type Voltage Power Replacement Liminous Flux CT Material Size Weight TPYF10-2GL 110/220V 50/60Hz <=2x10W 2x18W Fluorescent Lamp 1400lm 3000-6500K Steel/SS 636x675x600 4.6kg TPYF20-2GL <=2x20W 2x36W Fluorescent Lamp 2600lm 3000-6500K steel 1245x1200x1280 8.2kg	Certificate	ABS, LR, BV, DNVGL, NK, KR, IRS, RMRS, CCS
Warranty	12 Months unless specified otherwise	Origin	China

China TPYF10-2GL LED Ceiling Light:

Application

Applied to military ship and ship illumination of dry cabin, such as the accommodation, passage way, retiring room and so on.

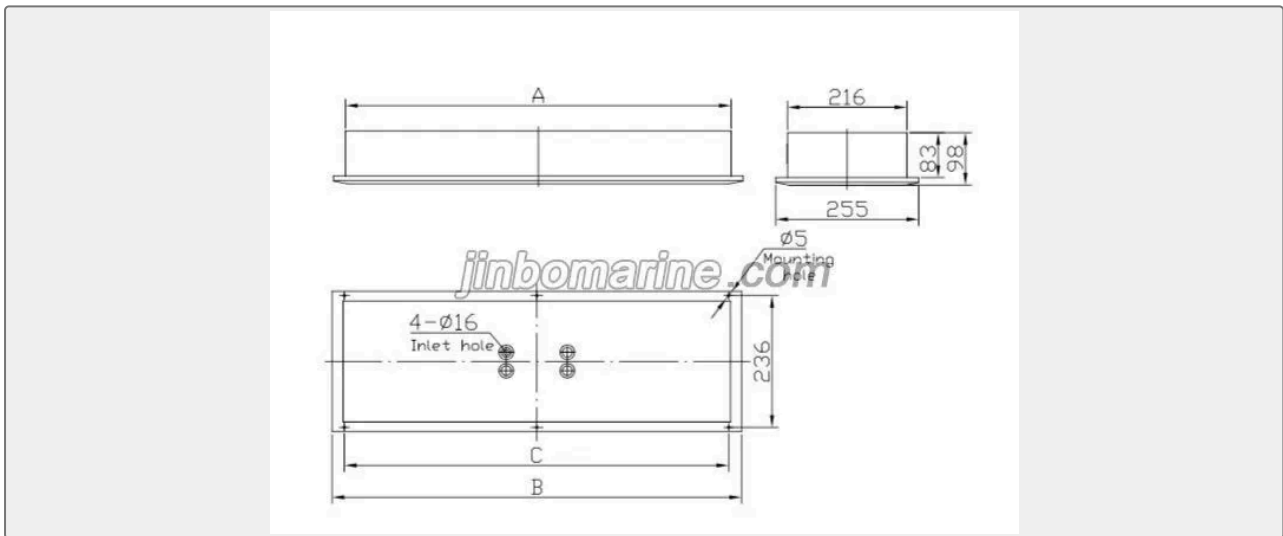
Product Feature

1. Shell adopts good quality steel plate.
2. Lampshade is made of milky white organic glass.
3. LED Light Source, light soft, no glare, supper high uniformity and visual comfort, color \geq 80%, light rate $>$ 70%, life time 30000h,energy saving 50%, new green environmental product, easy installation, general G12 lamp holder.
4. Environment temperature I s -20-45degree within the scope of work.
5. Protection class is IP22.

Standard

1. Chapter 3, Part 4 of Classification Society Rules for Classification of Sea-going Steel Ships 2015 and its Amendments;
2. GB7000.1-2015 , Luminaires –Part1:General requirements and tests.

Specification



Type	Voltage	Power	Replaceme nt	Liminous Flux	CT	Material	Size	Weight
TPYF10-2GL	110/220V 50/60Hz	\leq 2x10W	2x18W Fluorescent Lamp	1400lm	3000- 6500K	Steel/SS	636x675x600	4.6kg
TPYF20-2GL		\leq 2x20W	2x36W Fluorescent Lamp	2600lm	3000- 6500K	steel	1245x1200 x1280	8.2kg