

Jinbo Marine

Marine & Offshore Equipment Datasheet

PRODUCT DATASHEET

MARINE FLUORESCENT LIGHTS

TPYF20-2 Fluorescent Ceiling Light

Application Applied to illumination of water dripping, water spattering, water coagulating place in military ship and ship, such engine room, dry cabin, tunnel, pepeline and weater deck etc.

...

ISO9001 Supplier

Class Certificate

Export Supply



Key Highlights

| | |
|---------------|---|
| Category | Marine Fluorescent Lights |
| Standard | GB |
| Material | Shell is good quality steel plate. |
| Weight / Size | Specification Type Voltage Power Lamp Holder Size Weight TPYF20-2 110/220V 50/60Hz 2x18W G13 636x600x674 6.2kg TPYF20-2E 6.4kg TPYF40-2 2x36W 1245x1200x1280 8.1kg TPYF40-2E 8.2kg |
| Certificate | ABS, LR, BV, DNVGL, NK, KR, IRS, RMRS, CCS |

We can supply according to your requirement, drawings, class certificate needs, and delivery schedule.

Technical Specifications

| | | | |
|---------------|---|-------------|--|
| Category | Marine Fluorescent Lights | Model / SKU | TPYF20-2-Fluorescent-Ceiling-Light |
| Standard | GB | Material | Shell is good quality steel plate. |
| Weight / Size | Specification Type Voltage Power Lamp Holder Size Weight TPYF20-2 110/220V 50/60Hz 2x18W G13 636x600x674 6.2kg TPYF20-2E 6.4kg TPYF40-2 2x36W 1245x1200x1280 8.1kg TPYF40-2E 8.2kg | Certificate | ABS, LR, BV, DNVGL, NK, KR, IRS, RMRS, CCS |
| Warranty | 12 Months unless specified otherwise | Origin | China |

China TPYF20-2 Fluorescent Ceiling Light:

Application

Applied to illumination of water dripping, water spattering, water coagulating place in military ship and ship, such engine room, dry cabin, tunnel, pipeline and weater deck etc.

| Protection Class | Application |
|------------------|---|
| IP20 | Dry Living Cabin and dry control room |
| IP22 | Sterring room, Refrigerator toom, emergency engine room, store room |
| IP34 | Engine Room, boile room, steering gea room and aux machinery room |
| IP44 | Bath roo, Machienry space, gallery and laundry |
| IP55 | Engine room |
| IP56/IP66/IP67 | Open Deck |
| IP68 | Waterh deck and 20M underwater |

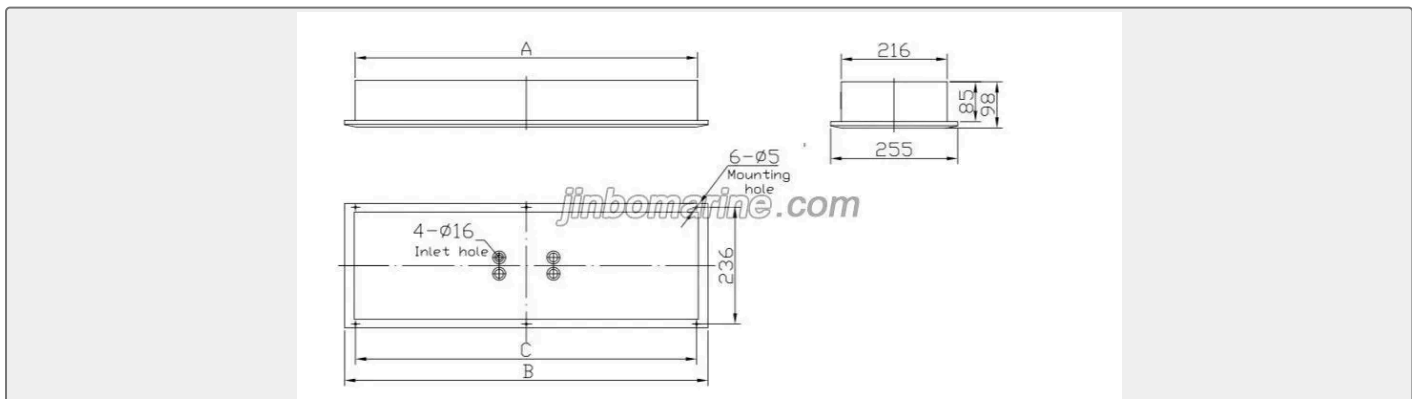
Product Feature

1. Shell is good quality steel plate.
- 2.Lampshade adopts injection of AS with metal guard.
3. Environment temperature is -20-45 degree with the scope of work
4. Cable gland material: stainless steel, brass, bylon, protection class is IP56.
5. Stainless steel material should be selected for outdoor lighting.

Standard

1. Chapter 3, Part 4 of Classification Society Rules for Classification of Sea-going Steel Ships 2015 and its Amendments;
- 2.GB7000.1-2015 , Luminaires –Part1:General requirements and tests.

Specification



| Type | Voltage | Power | Lamp Holder | Size | Weight |
|------|---------|-------|-------------|------|--------|
|------|---------|-------|-------------|------|--------|

| | | | | | |
|-----------|---------------------|-------|-----|----------------|-------|
| TPYF20-2 | 110/220V 50/60Hz | 2x18W | G13 | 636x600x674 | 6.2kg |
| TPYF20-2E | | | | | 6.4kg |
| TPYF40-2 | | 2x36W | | 1245x1200x1280 | 8.1kg |
| TPYF40-2E | | | | | 8.2kg |