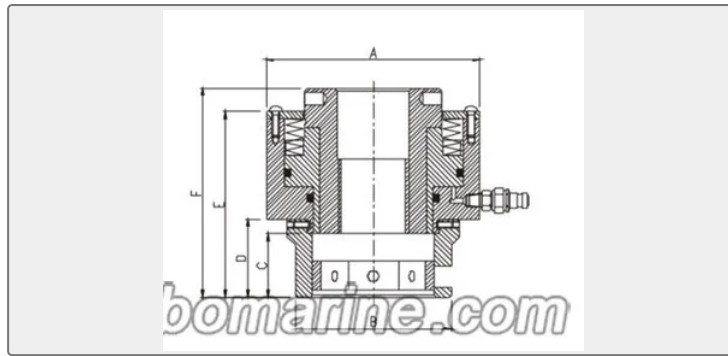




Technical Specifications			
<b>Category</b>	Marine Tools	<b>Model / SKU</b>	TSD-Series-Single-Stage-Hydraulic-Bolt-Tensioner
<b>Standard</b>	EN	<b>Weight / Size</b>	Model Fit Bolt Maximum Load(KN) Size (mm) Stroke(mm) Weight(kg) A B C D E F TSDO M20 307 109 55 23 25 111 128 8 5 M22 60 25 27 113 130 M24 66 27 29 115 132 TSD1 M24 486 109 74 27 29 120 138 8 7 M27 77 30 32 123 141 M30 80 33 35 126 144 M33 85 36 38 129 147 M36 90 39 41 132 150 TSD2 M33 814 132 90 36 44 135 150 8 10 M36 96 39 47 138 153 M39 98 42 50 141 156 M42 105 45 53 144 159 TSD3 M39 989 150 110 42 42 136 450 10 15 M42 113 45 45 140 155 M45 114 50 50 144 161 M48 118 52 52 146 163 TSD4 M52 1413 174 132 55 56 154 174 10 20 M56 135 59 60 158 178 TSD5 M56 1649 198 135 59 60 161 179 12 25 M60 143 64 64 165 183 M64 150 68 68 169 187 M68 158 72 72 173 191 TSD6 M72 2131 222 165 76 76 184 207 12 35 M76 170 80 80 188 211 TSD7 M76 2544 252 170 80 80 194 221 12 50 M80 175 85 85 197 224 M85 190 90 88 199 226 M90 205 95 95 209 236 TSD8 M95 3101 282 215 100 100 214 243 12 65 M100 235 105 105 219 248 TSD9 M105 3793 318 240 110 110 224 254 12 85 M110 248 115 118 234 264 M115 260 120 120 234 264 TSD10 M115 4936 360 260 120 120 261 297 12 110 M120 270 125 125 266 302 M125 286 140 130 271 307
<b>Certificate</b>	ABS, LR, BV, DNVGL, NK, KR, IRS, RMRS, CCS	<b>Warranty</b>	12 Months unless specified otherwise
<b>Origin</b>	China		

## China TSD Series-Single Stage Hydraulic Bolt Tensioner:

TSD Series-Single Stage Hydraulic Bolt Tensioner



Maximum service pressure:150MPa

Design of automatic return mechanism.

Ultra red warning line to ensure operator safety.

The bolts of different specifications can be pre loaded or loosed by the same tensioner, but the drawing heads and the sockets must be replaced.

Model	Fit Bolt	Maximum Load (KN)	Size (mm)						Stroke (mm)	Weight (kg)
			A	B	C	D	E	F		
TSD0	M20	307	109	55	23	25	111	128	8	5
	M22			60	25	27	113	130		
	M24			66	27	29	115	132		
TSD1	M24	486	109	74	27	29	120	138	8	7
	M27			77	30	32	123	141		
	M30			80	33	35	126	144		
	M33			85	36	38	129	147		
	M36			90	39	41	132	150		
TSD2	M33	814	132	90	36	44	135	150	8	10
	M36			96	39	47	138	153		
	M39			98	42	50	141	156		
	M42			105	45	53	144	159		
TSD3	M39	989	150	110	42	42	136	450	10	15
	M42			113	45	45	140	155		
	M45			114	50	50	144	161		
	M48			118	52	52	146	163		
TSD4	M52	1413	174	132	55	56	154	174	10	20
	M56			135	59	60	158	178		

TSD5	M56	1649	198	135	59	60	161	179	12	25
	M60			143	64	64	165	183		
	M64			150	68	68	169	187		
	M68			158	72	72	173	191		
TSD6	M72	2131	222	165	76	76	184	207	12	35
	M76			170	80	80	188	211		
TSD7	M76	2544	252	170	80	80	194	221	12	50
	M80			175	85	85	197	224		
	M85			190	90	88	199	226		
	M90			205	95	95	209	236		
TSD8	M95	3101	282	215	100	100	214	243	12	65
	M100			235	105	105	219	248		
TSD9	M105	3793	318	240	110	110	224	254	12	85
	M110			248	115	118	234	264		
	M115			260	120	120	234	264		
TSD10	M115	4936	360	260	120	120	261	297	12	110
	M120			270	125	125	266	302		
	M125			286	140	130	271	307		