

# Jinbo Marine

Marine & Offshore Equipment Datasheet

PRODUCT DATASHEET

## MARINE HOIST

# TSHQ Type Marine Pneumatic Hoist

TSHQ Type Marine Pneumatic Hoist Structure TSHQ Type Marine Pneumatic Hoist&nbsp;Technical Specifications Type Lifting capacity(t) Mot...

- ISO9001 Supplier
- Class Certificate
- Export Supply



### Key Highlights

<b>Category</b>	Marine Hoist
<b>Weight / Size</b>	TSHQ Type Marine Pneumatic Hoist Structure TSHQ Type Marine Pneumatic Ho...
<b>Certificate</b>	ABS, LR, BV, DNVGL, NK, KR, IRS, RMRS, CCS

We can supply according to your requirement, drawings, class certificate needs, and delivery schedule.

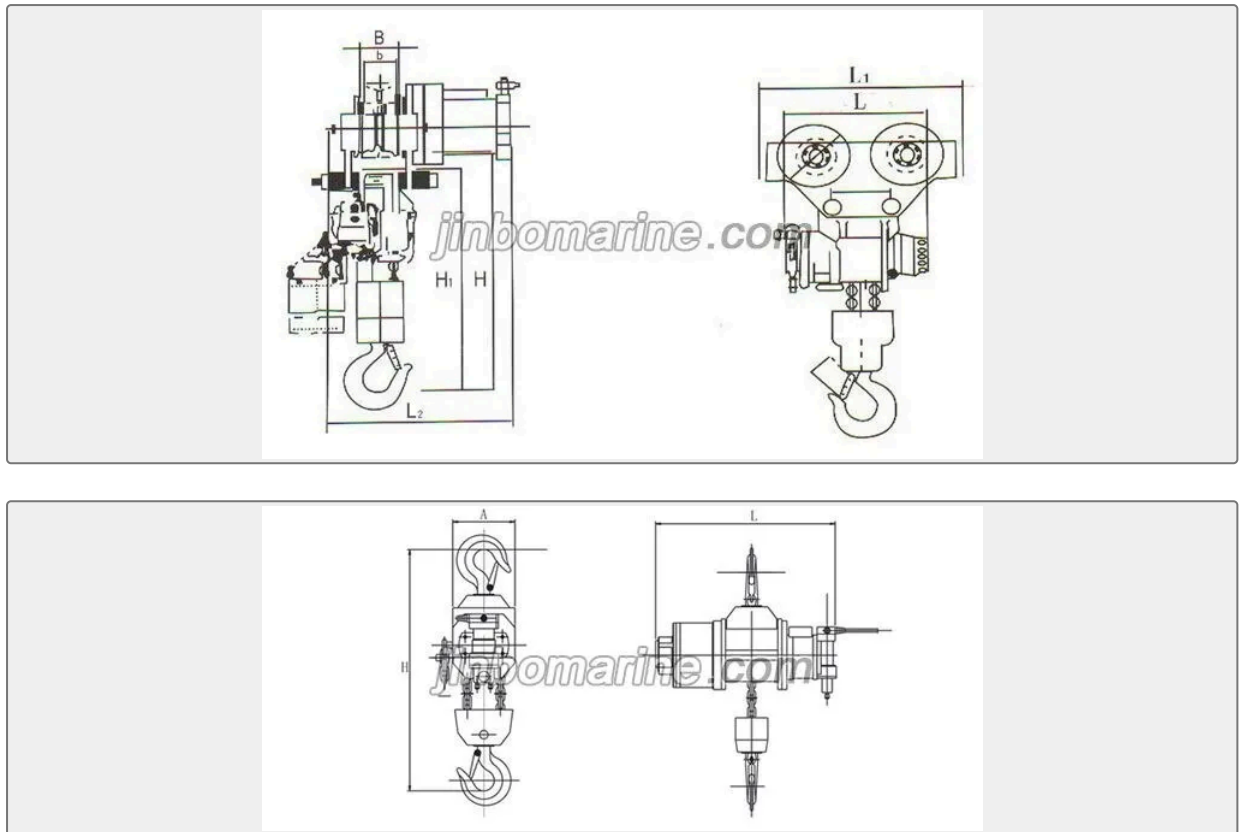


Technical Specifications			
<b>Category</b>	Marine Hoist	<b>Model / SKU</b>	TSHQ-Type-Marine-Pneumatic-Hoist
<b>Weight / Size</b>	TSHQ Type Marine Pneumatic Hoist Structure TSHQ Type Marine Pneumatic Hoist Technical Specifications Type Lifting capacity(t) Motor power(kw) Working pressure(Mpa) Lifting height(m) Weight(kg) TSHQ01 0.08 0.8 ≥0.55 3 16 TSHQ02 0.125 0.8 ≥0.55 3 18 TSHQ03 0.25 0.8 ≥0.55 3 20 TSHQ04 0.5 1 ≥0.55 3 22 TSHQ05 1 1.2 ≥0.55 3 36 TSHQ06 1.5 1.5 ≥0.55 3 42 TSHQ07 2 1.5 ≥0.55 3 45 TSHQ08 3 1.2 ≥0.55 3 33 TSHQ09 5 1.2 ≥0.55 3 57 TSHQ10 6 1.2 ≥0.55 3 66 TSHQ11 8 3.6 ≥0.55 3 178 TSHQ12 10 3.6 ≥0.55 3 193 TSHQ13 12.5 3.6 ≥0.55 3 198 TSHQ14 15 3.6 ≥0.55 3 390 TSHQ15 20 3.6 ≥0.55 3 420 TSHQ16 25 3.6 ≥0.55 3 426 TSHQ17 30 3.6 ≥0.55 3 839 TSHQ18 40 3.6 ≥0.55 3 560 TSHQ19 50 3.6 ≥0.55 3 1390 TSHQ20 60 3.6 ≥0.55 3 1480 TSHQ21 80 5.8 ≥0.55 3 2150 TSHQ22 100 5.8 ≥0.55 3 2970 TSHQ23 120 5.8 ≥0.55 3 3540 TSHQ24 160 5.8 ≥0.55 3 4500	<b>Certificate</b>	ABS, LR, BV, DNVGL, NK, KR, IRS, RMRS, CCS
<b>Warranty</b>	12 Months unless specified otherwise	<b>Origin</b>	China

**CONTENTS**

- TSHQ Type Marine Pneumatic Hoist Structure
- TSHQ Type Marine Pneumatic Hoist Technical Specifications

## TSHQ Type Marine Pneumatic Hoist Structure



## TSHQ Type Marine Pneumatic Hoist Technical Specifications

Type	Lifting capacity(t)	Motor power(kw)	Working pressure(Mpa)	Lifting height(m)	Weight(kg)
TSHQ01	0.08	0.8	≥0.55	3	16
TSHQ02	0.125	0.8	≥0.55	3	18
TSHQ03	0.25	0.8	≥0.55	3	20
TSHQ04	0.5	1	≥0.55	3	22
TSHQ05	1	1.2	≥0.55	3	36
TSHQ06	1.5	1.5	≥0.55	3	42
TSHQ07	2	1.5	≥0.55	3	45
TSHQ08	3	1.2	≥0.55	3	33
TSHQ09	5	1.2	≥0.55	3	57
TSHQ10	6	1.2	≥0.55	3	66
TSHQ11	8	3.6	≥0.55	3	178
TSHQ12	10	3.6	≥0.55	3	193
TSHQ13	12.5	3.6	≥0.55	3	198
TSHQ14	15	3.6	≥0.55	3	390
TSHQ15	20	3.6	≥0.55	3	420

TSHQ16	25	3.6	≥0.55	3	426
TSHQ17	30	3.6	≥0.55	3	839
TSHQ18	40	3.6	≥0.55	3	560
TSHQ19	50	3.6	≥0.55	3	1390
TSHQ20	60	3.6	≥0.55	3	1480
TSHQ21	80	5.8	≥0.55	3	2150
TSHQ22	100	5.8	≥0.55	3	2970
TSHQ23	120	5.8	≥0.55	3	3540
TSHQ24	160	5.8	≥0.55	3	4500