

Jinbo Marine

Marine & Offshore Equipment Datasheet

PRODUCT DATASHEET

TURNBUCKLE

Turnbuckle Frame Type (Hook & Hook End) SS304 OR SS316

SIZE A mm B mm C mm D mm SWL kgs BL kgs M4 105 61 9 ...

ISO9001 Supplier

Class Certificate

Export Supply



Key Highlights

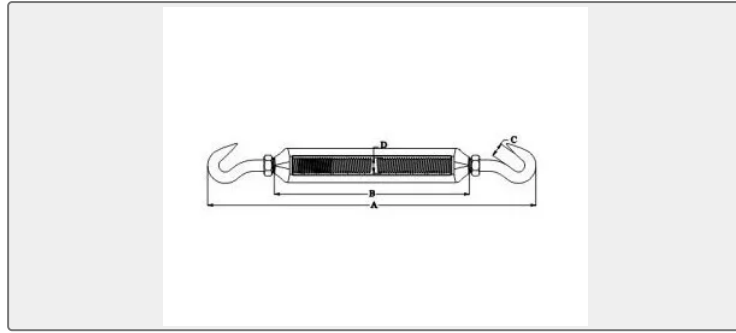
Category	Turnbuckle
Standard	EN
Material	Stainless steel
Weight / Size	SIZE A mm B mm C mm D mm SWL kgs BL kgs M4 105 61 9 M4 25 100 M5 125 71 ...
Certificate	ABS, LR, BV, DNVGL, NK, KR, IRS, RMRS, CCS

We can supply according to your requirement, drawings, class certificate needs, and delivery schedule.

Technical Specifications

Category	Turnbuckle	Model / SKU	TURNBUCKLE-FRAME-TYPE-HOOK-HOOK-END-SS304-OR-SS316
Standard	EN	Material	Stainless steel
Weight / Size	SIZE A mm B mm C mm D mm SWL kgs BL kgs M4 105 61 9 M4 25 100 M5 125 71 10 M5 32 130 M6 165 91 11 M6 85 350 M8 212 121 11.5 M8 160 650 M10 269 151 12.5 M10 200 800 M12 314 201 17 M12 350 1400 M16 397 244 17.5 M16 600 2400 M20 475 295 20 M20 875 3500	Certificate	ABS, LR, BV, DNVGL, NK, KR, IRS, RMRS, CCS
Warranty	12 Months unless specified otherwise	Origin	China

China Turnbuckle Frame Type (Hook & Hook End) SS304 OR SS316:



SIZE	A mm	B mm	C mm	D mm	SWL kgs	BL kgs
M4	105	61	9	M4	25	100
M5	125	71	10	M5	32	130
M6	165	91	11	M6	85	350
M8	212	121	11.5	M8	160	650
M10	269	151	12.5	M10	200	800
M12	314	201	17	M12	350	1400
M16	397	244	17.5	M16	600	2400
M20	475	295	20	M20	875	3500