

TURNBUCKLE

Turnbuckle Pipe (Wide & Wide Toggle) SS304 OR SS316

ISO9001 Supplier

Class Certificate

Export Supply

SIZE Φ mm A mm B mm C mm D mm SWL kgs BL kgs M6 6 10.5 ...



Key Highlights

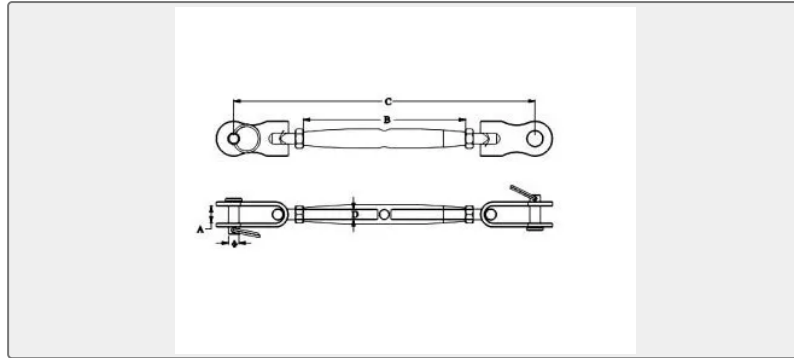
Category	Turnbuckle
Material	Stainless steel
Weight / Size	SIZE Φ mm A mm B mm C mm D mm SWL kgs BL kgs M6 6 10.5 92 163 M6 275 110...
Certificate	ABS, LR, BV, DNVGL, NK, KR, IRS, RMRS, CCS

We can supply according to your requirement, drawings, class certificate needs, and delivery schedule.

Technical Specifications

Category	Turnbuckle	Model / SKU	TURNBUCKLE-PIPE-WIDE-WIDE-TOGGLE-SS304-OR-SS316
Material	Stainless steel	Weight / Size	SIZE Φ mm A mm B mm C mm D mm SWL kgs BL kgs M6 6 10.5 92 163 M6 275 1100 M8 8 11.5 112 194 M8 450 1800 M10 10 15.5 120 228 M10 750 3000 M12 12 19.2 150 280 M12 938 3750
Certificate	ABS, LR, BV, DNVGL, NK, KR, IRS, RMRS, CCS	Warranty	12 Months unless specified otherwise
Origin	China		

China Turnbuckle Pipe (Wide & Wide Toggle) SS304 OR SS316:



SIZE	Φ mm	A mm	B mm	C mm	D mm	SWL kgs	BL kgs
M6	6	10.5	92	163	M6	275	1100
M8	8	11.5	112	194	M8	450	1800
M10	10	15.5	120	228	M10	750	3000
M12	12	19.2	150	280	M12	938	3750