

# Jinbo Marine

Marine & Offshore Equipment Datasheet

PRODUCT DATASHEET

## STERN TUBE BEARING

# TZ Series Shafting Gliding Thrust Bearings

ISO9001 Supplier

Class Certificate

Export Supply

Technical Specification It is suitable for vessels that have a large thrust requirement and a small axial vibration Model Shaft Journal Dia. Dz(mm) ...



### Key Highlights

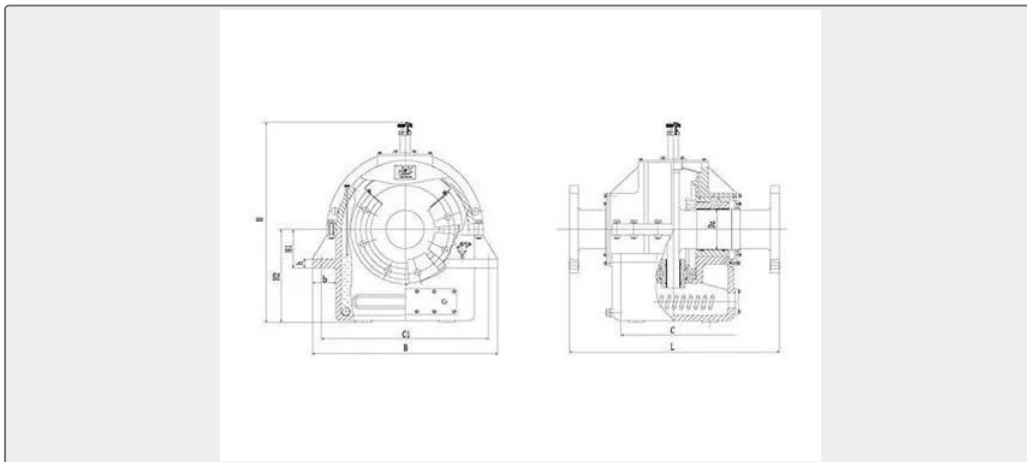
Category	Stern Tube Bearing
Standard	DIN
Weight / Size	Dz(mm) Pmax (kgf) N (rpm) Approximate Sizes of Appearance (mm) Approxima...
Certificate	CCS, BV, ABS, GL, LR, DNV, NK,RINA, KR,IRS

We can supply according to your requirement, drawings, class certificate needs, and delivery schedule.

Technical Specifications			
<b>Category</b>	Stern Tube Bearing	<b>Model / SKU</b>	TZ-Series-Shafting-Gliding-Thrust-Bearings
<b>Standard</b>	DIN	<b>Weight / Size</b>	Dz(mm) Pmax (kgf) N (rpm) Approximate Sizes of Appearance (mm) Approximate Sizes of Appearance (mm) L B H H1 H2 b h Base Bolt Hole C C1 Reaming Bore d1 Quantity d2 Quantity TZ140 140 6000 600/300 550 620 650 140 335 70 25 21 4 21 4 550 360 TZ160 160 9000 600/200 640 700 730 150 380 70 25 21 4 21 4 620 400 TZ180 180 12000 600/200 720 800 800 150 400 70 30 32 4 31 4 770 560 TZ200 200 16000 500/180 760 840 835 160 425 70 30 32 4 31 4 770 560 TZ220 220 20000 500/180 830 870 855 180 465 75 35 32 4 31 8 800 540 TZ280 280 30000 350/120 950 990 975 180 525 80 35 38 4 37 8 920 760
<b>Certificate</b>	CCS, BV, ABS, GL, LR, DNV, NK,RINA, KR,IRS	<b>Warranty</b>	12 Months unless specified otherwise
<b>Origin</b>	China		

## Technical Specification

It is suitable for vessels that have a large thrust requirement and a small axial vibration



Model	Shaft Journal Dia. Dz(mm)	Pmax (kgf)	N (rpm)	Approximate Sizes of Appearance (mm)					Approximate Sizes of Appearance (mm)							
				L	B	H	H1	H2	b	h	Base Bolt Hole				C	C1
											Reaming		Bore			
											d 1	Quant ity	d 2	Quant ity		
TZ1 40	140	6000	600/3 00	550	620	650	140	335	7 0	2 5	2 1	4	2 1	4	55 0	36 0
TZ1 60	160	9000	600/2 00	640	700	730	150	380	7 0	2 5	2 1	4	2 1	4	62 0	40 0
TZ1 80	180	12000	600/2 00	720	800	800	150	400	7 0	3 0	3 2	4	3 1	4	77 0	56 0
TZ2 00	200	16000	500/1 80	760	840	835	160	425	7 0	3 0	3 2	4	3 1	4	77 0	56 0
TZ2 20	220	20000	500/1 80	830	870	855	180	465	7 5	3 5	3 2	4	3 1	8	80 0	54 0
TZ2 80	280	30000	350/1 20	950	990	975	180	525	8 0	3 5	3 8	4	3 7	8	92 0	76 0