

Jinbo Marine

Marine & Offshore Equipment Datasheet

PRODUCT DATASHEET

AZIMUTH THRUSTERS

Transom Mounted Azimuth Thruster

Transom installation is one of the three installation types. It is used for ships and vessels whose space of engine room are smaller, such as floating cranes, mounting plate with sealing is fixed on the plate. That is...

ISO9001 Supplier

Class Certificate

Export Supply



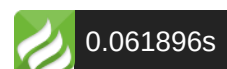
Key Highlights

Category	Azimuth Thrusters		
Standard	EN		
Weight / Size	Specification	Type	Input power max.[KW] Input Speed Rated.[r...
Certificate	ABS, LR, BV, DNVGL, NK, KR, IRS, RMRS, CCS		

We can supply according to your requirement, drawings, class certificate needs, and delivery schedule.

Technical Specifications

Category	Azimuth Thrusters	Model / SKU	Transom-Mounted-Azimuth-Thruster
----------	-------------------	-------------	----------------------------------



<p>Standard</p>	<p>EN</p>	<p>Weight / Size</p> <p>Specification Type Input power max.[KW] Input Speed Rated.[rpm] Input torque max. [N.m] Propeller Dia. Max.&[mm] Reduction Ratio i Weight[kg]</p> <p>SRP45 100 2500 450 800 2.5 190</p> <p>SRP85 210 2350 850 950 2.68 400</p> <p>SRP138 260 2000 1380 1100 3.01 1200</p> <p>SRP180A 340 1800 1800 1150 3.46 1450</p> <p>SRP180B 280 1500 2.88 180</p> <p>SRP180C 1000 2.526 1450</p> <p>SRP226 350 1800 2260 1350 3.34 2000</p> <p>SRP280 480 2800 1550 3.96 2100</p> <p>SRP310A 580 3070 1550 3.718 2500</p> <p>SRP310B 1500 3800 3.002 2600</p> <p>SRP330 620 1800 3300 1600 4.04 2800</p> <p>SRP330B 620 1500 4100 3.26</p> <p>SRP428A 735 1800 4280 1600 4.35 4500</p> <p>SRP428B 1500 5220 3.671</p> <p>SRP428C 1000 7140 2.769</p> <p>SRP550 920 1800 5423 1800 5.059 6000</p> <p>SRP1000 1000 9762 2.804</p> <p>SRP1150 1103 11500 1800 2.775 7000</p> <p>SRP1150A 750 15280 2.102</p> <p>SRP1450 1324 1000 14800 2100 3.257 17000</p> <p>SRP1850 750 18500 2.44 18000</p> <p>SRP1850B 825 17900 2.68</p> <p>SRP1850C 900 16200 2.93</p> <p>SRP2000A 1545 525 30000 2200 1.925 20000</p> <p>SRP2000 1471 750 20000 2.74</p> <p>SRP2000B 825 18800 3.01</p> <p>SRP2000C 900 17500 3.257</p> <p>SRP2000D 1000 16000 3.66</p> <p>SRP2500A 1912 750 31200 2450 3.32 24000</p> <p>SRP2500B 825 28360 3.453</p> <p>SRP2500C 900 26000 3.983</p> <p>SRP2500D 1000 26000 4.42</p> <p>SRP3000A 2206 750 31200 2650 3.32 28000</p> <p>SRP3000B 825 28360 3.453</p> <p>SRP3000C 900 26000 3.983</p> <p>SRP3000D 1000 26000 4.424</p> <p>SRP4000A 3000 750 42000 3200 4.41 53000</p> <p>SRP4000B 825 38200 4.85</p> <p>SRP4000C 900 35000 5.29</p> <p>SRP4000D 1000 32000 5.88</p>
<p>Certificate</p>	<p>ABS, LR, BV, DNVGL, NK, KR, IRS, RMRS, CCS</p>	<p>Warranty</p> <p>12 Months unless specified otherwise</p>

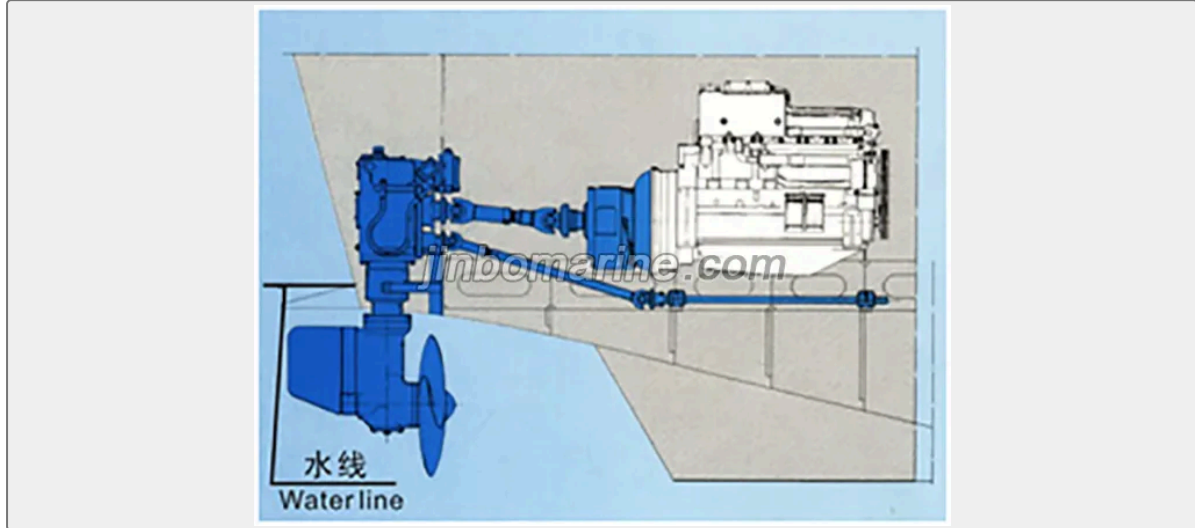


Origin	China
--------	-------

CONTENTS

■ China Transom Mounted Azimuth Thruster:

■ Specification

China Transom Mounted Azimuth Thruster:

Transom installation is one of the three installation types. It is used for ships and vessels whose space of engine room are smaller, such as floating cranes, mounting plate with sealing is fixed on the plate. That is, the upper of the Rudder propeller is fixed on the pin axis, and the lower is clamped on the pushing ring. When releasing the thruster bearing, the propeller can easily be elevated backwards.

Transom-mounted units are ideal for applications where sufficient free board is available.

They can be welded to the transom or sides of vessels, barges or platforms.

Frequent immersion from wave action is no problem.

The engine and hydraulic power unit may be installed on deck or in an engine room at any convenient location.

A single engine may power multiple transom-mounted thrusters.

Specification

Type	Input power max. [KW]	Input Speed Rated. [rpm]	Input torque max. [N.m]	Propeller Dia. Max.& [mm]	Reduction Ratio i	Weight[kg]
SRP45	100	2500	450	800	2.5	190
SRP85	210	2350	850	950	2.68	400
SRP138	260	2000	1380	1100	3.01	1200
SRP180A	340	1800	1800	1150	3.46	1450
SRP180B	280	1500			2.88	
SRP180C	180	1000			2.526	1450



SRP226	350	1800	2260	1350	3.34	2000
SRP280	480		2800	1550	3.96	2100
SRP310A	580		3070	1550	3.718	2500
SRP310B		1500	3800		3.002	2600
SRP330	620	1800	3300	1600	4.04	2800
SRP330B	620	1500	4100		3.26	
SRP428A	735	1800	4280	1600	4.35	4500
SRP428B		1500	5220		3.671	
SRP428 C		1000	7140		2.769	
SRP550	920	1800	5423	1800	5.059	6000
SRP1000		1000	9762		2.804	
SRP1150	1103		11500	1800	2.775	7000
SRP1150 A		750	15280		2.102	
SRP1450	1324	1000	14800	2100	3.257	17000
SRP1850		750	18500		2.44	18000
SRP1850 B		825	17900		2.68	
SRP1850 C		900	16200		2.93	
SRP2000 A	1545	525	30000	2200	1.925	20000
SRP2000	1471	750	20000		2.74	
SRP2000 B		825	18800		3.01	
SRP2000 C		900	17500		3.257	
SRP2000 D		1000	16000		3.66	
SRP2500 A	1912	750	31200	2450	3.32	24000
SRP2500 B		825	28360		3.453	
SRP2500 C		900	26000		3.983	
SRP2500 D		1000	26000		4.42	

SRP3000 A	2206	750	31200	2650	3.32	28000
SRP3000 B		825	28360		3.453	
SRP3000 C		900	26000		3.983	
SRP3000 D		1000	26000		4.424	
SRP4000 A	3000	750	42000	3200	4.41	53000
SRP4000 B		825	38200		4.85	
SRP4000 C		900	35000		5.29	
SRP4000 D		1000	32000		5.88	