


CONNECTORS

Triangle plate

Triangle plate is widely used for mooring system in the offshore field. We can supply according to your requirement. For more information, please contact us. Size Table ...

- ISO9001 Supplier
- Class Certificate
- Export Supply

| | | | | | | | | | | | |
|--|---|-----------------|------------|-----------------|-----|-----------------|--------------------|----------------------|---|--------------------|--|
|  | <p>Key Highlights</p> <table border="1" style="width: 100%; border-collapse: collapse;"> <tr> <td style="background-color: #1a3d4d; color: white;">Category</td> <td>Connectors</td> </tr> <tr> <td style="background-color: #1a3d4d; color: white;">Standard</td> <td>DIN</td> </tr> <tr> <td style="background-color: #1a3d4d; color: white;">Material</td> <td>High Tensile Steel</td> </tr> <tr> <td style="background-color: #1a3d4d; color: white;">Weight / Size</td> <td>Size Table WLL(T) MBL(T) Dimension(mm) Weight (kgs) A H T S 9.5 47.5 100 35 40 35 5 12 60 110 40 40 40 6.5 13.5 67..5 120 42 45 425 8.5 17 85 130 45 45 50 9.5 25 125 140 55 50 65 13.5 35 175 150 60 60 70 19 55 275 180 75 80 85 37.5 85 425 220 90 90 110 62 120 600 124 105 110 130 95 150 750 260 115 130 135 133 175 875 290 115 140 145 163 200 1000 380 140 150 160 282</td> </tr> <tr> <td style="background-color: #1a3d4d; color: white;">Certificate</td> <td>ABS, LR, BV, DNVGL, NK, KR, IRS, RMRS, CCS</td> </tr> </table> <p style="font-size: small; margin-top: 10px;">We can supply according to your requirement, drawings, class certificate needs, and delivery schedule.</p> | Category | Connectors | Standard | DIN | Material | High Tensile Steel | Weight / Size | Size Table WLL(T) MBL(T) Dimension(mm) Weight (kgs) A H T S 9.5 47.5 100 35 40 35 5 12 60 110 40 40 40 6.5 13.5 67..5 120 42 45 425 8.5 17 85 130 45 45 50 9.5 25 125 140 55 50 65 13.5 35 175 150 60 60 70 19 55 275 180 75 80 85 37.5 85 425 220 90 90 110 62 120 600 124 105 110 130 95 150 750 260 115 130 135 133 175 875 290 115 140 145 163 200 1000 380 140 150 160 282 | Certificate | ABS, LR, BV, DNVGL, NK, KR, IRS, RMRS, CCS |
| Category | Connectors | | | | | | | | | | |
| Standard | DIN | | | | | | | | | | |
| Material | High Tensile Steel | | | | | | | | | | |
| Weight / Size | Size Table WLL(T) MBL(T) Dimension(mm) Weight (kgs) A H T S 9.5 47.5 100 35 40 35 5 12 60 110 40 40 40 6.5 13.5 67..5 120 42 45 425 8.5 17 85 130 45 45 50 9.5 25 125 140 55 50 65 13.5 35 175 150 60 60 70 19 55 275 180 75 80 85 37.5 85 425 220 90 90 110 62 120 600 124 105 110 130 95 150 750 260 115 130 135 133 175 875 290 115 140 145 163 200 1000 380 140 150 160 282 | | | | | | | | | | |
| Certificate | ABS, LR, BV, DNVGL, NK, KR, IRS, RMRS, CCS | | | | | | | | | | |

| Technical Specifications | | | |
|--------------------------|---|--------------------|--|
| Category | Connectors | Model / SKU | Triangle-plate |
| Standard | DIN | Material | High Tensile Steel |
| Weight / Size | Size Table WLL(T) MBL(T) Dimension(mm) Weight (kgs) A H T S 9.5 47.5 100 35 40 35 5 12 60 110 40 40 40 6.5 13.5 67..5 120 42 45 425 8.5 17 85 130 45 45 50 9.5 25 125 140 55 50 65 13.5 35 175 150 60 60 70 19 55 275 180 75 80 85 37.5 85 425 220 90 90 110 62 120 600 124 105 110 130 95 150 750 260 115 130 135 133 175 875 290 115 140 145 163 200 1000 380 140 150 160 282 | Certificate | ABS, LR, BV, DNVGL, NK, KR, IRS, RMRS, CCS |
| Warranty | 12 Months unless specified otherwise | Origin | China |



CONTENTS

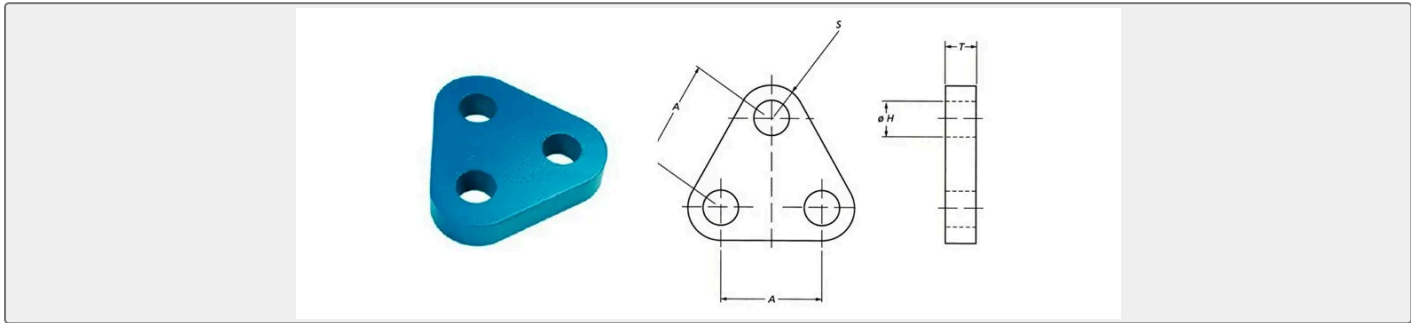
■ China Triangle plate:

■ Size Table

China Triangle plate:

Triangle plate is widely used for mooring system in the offshore field. We can supply according to your requirement. For more information, please contact us.

Size Table



| WLL(T) | MBL(T) | Dimension(mm) | | | | Weight (kgs) |
|--------|--------|---------------|-----|-----|------|--------------|
| | | A | H | T | S | |
| 9.5 | 47.5 | 100 | 35 | 40 | 35 | 5 |
| 12 | 60 | 110 | 40 | 40 | 40 | 6.5 |
| 13.5 | 67.5 | 120 | 42 | 45 | 42.5 | 8.5 |
| 17 | 85 | 130 | 45 | 45 | 50 | 9.5 |
| 25 | 125 | 140 | 55 | 50 | 65 | 13.5 |
| 35 | 175 | 150 | 60 | 60 | 70 | 19 |
| 55 | 275 | 180 | 75 | 80 | 85 | 37.5 |
| 85 | 425 | 220 | 90 | 90 | 110 | 62 |
| 120 | 600 | 124 | 105 | 110 | 130 | 95 |
| 150 | 750 | 260 | 115 | 130 | 135 | 133 |
| 175 | 875 | 290 | 115 | 140 | 145 | 163 |
| 200 | 1000 | 380 | 140 | 150 | 160 | 282 |

