

# Jinbo Marine

Marine & Offshore Equipment Datasheet


PRODUCT DATASHEET

A SERIES SHORT PITCH PRECISION ROLLER CHAIN

## Triplex Roller Chain

Main Specification DIN/ISO Chain No. Pitch Roller Width Pin Diameter Pin Length I...

- ISO9001 Supplier
- Class Certificate
- Export Supply

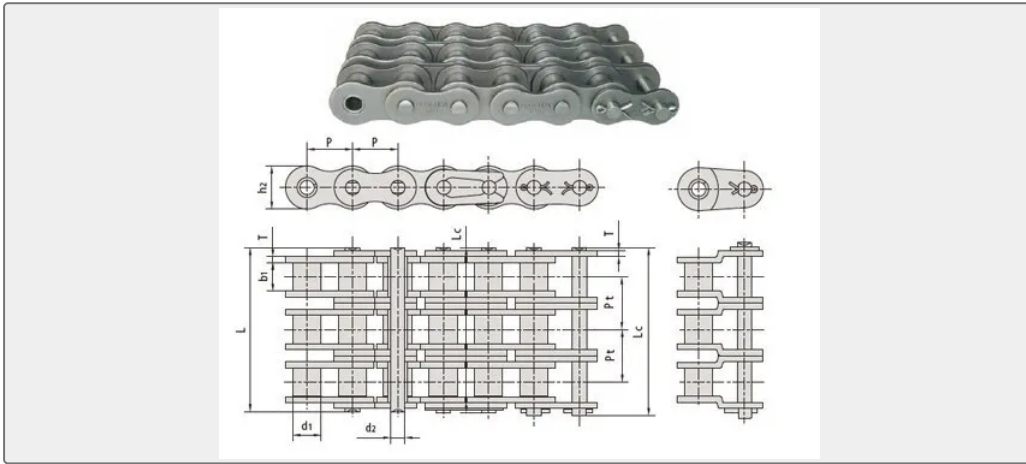
	Key Highlights	
	<b>Category</b>	A Series Short Pitch Precision Roller Chain
	<b>Standard</b>	ISO
	<b>Material</b>	40Mn2
	<b>Weight / Size</b>	Pitch Roller Width Pin Diameter Pin Length Inner plate depth Plate Thick...
<b>Certificate</b>	ABS, LR, BV, DNVGL, NK, KR, IRS, RMRS, CCS	
<p>We can supply according to your requirement, drawings, class certificate needs, and delivery schedule.</p>		



Technical Specifications			
<b>Category</b>	A Series Short Pitch Precision Roller Chain	<b>Model / SKU</b>	Triplex-Roller-Chain
<b>Standard</b>	ISO	<b>Material</b>	40Mn2
<b>Weight / Size</b>	Pitch Roller Width Pin Diameter Pin Length Inner plate depth Plate Thickness Ultimate tensile strength Average tensile strength weight Per Meter P d1 b1 d2 L Lc h2 T Q Q0 q mm mm mm mm mm mm mm mm kN/LB kN kg/m 05B-3 8 5 3 2.31 19.5 20.2 7.1 0.8 11.1/2523 13.8 0.48 *06B-3 9.525 6.35 5.72 3.28 33.5 34.6 8.2 1.3 24.9/5659 30.1 1.16 08B-3 12.7 8.51 7.75 4.45 45.1 46.1 11.8 1.6 47.5/10795 57.8 2.03 10B-3 15.875 10.16 9.65 5.08 52.7 54.1 14.7 1.7 66.7/15159 84.5 2.77 12B-3 19.05 12.07 11.68 5.72 61.5 63.1 16 1.85 86.7/19705 101.8 3.46 16B-3 25.4 15.88 17.02 8.28 99.8 101.2 21 4.15/3.1 160.0/36364 203.7 8.13 20B-3 31.75 19.05 19.56 10.19 114.2 117.9 26.4 4.5/3.5 250.0/56818 290 10.82 24B-3 38.1 25.4 25.4 14.63 150.1 154.6 33.2 6.0/4.8 425.0/96591 493 20.1 28B-3 44.45 30.99 30.99 15.9 184.2 188.7 36.7 7.5/6.0 530.0/120454 609.5 24.92 32B-3 50.8 30.99 30.99 17.81 183.2 188.2 42 7.0/6.0 670.0/152273 770.5 31.56 40B-3 63.5 38.1 38.1 22.89 226.8 233.8 52.96 8.5/8.0 950.0/215909 1092.5 48.1 48B-3 76.2 45.72 45.72 29.24 281.6 289.4 63.8 12月 10日 1500.0/340909 1710 75 OEM Available Packing:	<b>Certificate</b>	ABS, LR, BV, DNVGL, NK, KR, IRS, RMRS, CCS
<b>Warranty</b>	12 Months unless specified otherwise	<b>Origin</b>	China


<b>CONTENTS</b>	<ul style="list-style-type: none"> <li>■ Main Specification</li> <li>■ Packing:</li> </ul>
-----------------	--





## Main Specification

DIN/ISO Chain No.	Pitch	Roller	Width	Pin Diameter	Pin Length		Inner plate depth	Plate Thickness	Ultimate tensile strength	Average tensile strength	weight Per Meter
	P	d1	b1	d2	L	Lc	h2	T	Q	Q0	q
	mm	mm	mm	mm	m m	m m	mm	mm	kN/LB	kN	kg/m
05B-3	8	5	3	2.31	1 9. 5	2 0. 2	7.1	0.8	11.1/252 3	13.8	0.48
*06B-3	9.525	6.35	5.72	3.28	3 3. 5	3 4. 6	8.2	1.3	24.9/565 9	30.1	1.16
08B-3	12.7	8.51	7.75	4.45	4 5. 1	4 6. 1	11.8	1.6	47.5/107 95	57.8	2.03
10B-3	15.875	10.16	9.65	5.08	5 2. 7	5 4. 1	14.7	1.7	66.7/151 59	84.5	2.77
12B-3	19.05	12.07	11.68	5.72	6 1. 5	6 3. 1	16	1.85	86.7/197 05	101.8	3.46

 0.058196s

16B-3	25.4	15.88	17.02	8.28	9 9. 8	1 0 1. 2	21	4.15/3.1	160.0/36 364	203.7	8.13
20B-3	31.75	19.05	19.56	10.19	1 1 4. 2	1 1 7. 9	26.4	4.5/3.5	250.0/56 818	290	10.82
24B-3	38.1	25.4	25.4	14.63	1 5 0. 1	1 5 4. 6	33.2	6.0/4.8	425.0/96 591	493	20.1
28B-3	44.45	30.99	30.99	15.9	1 8 4. 2	1 8 8. 7	36.7	7.5/6.0	530.0/12 0454	609.5	24.92
32B-3	50.8	30.99	30.99	17.81	1 8 3. 2	1 8 8. 2	42	7.0/6.0	670.0/15 2273	770.5	31.56
40B-3	63.5	38.1	38.1	22.89	2 2 6. 8	2 3 3. 8	52.96	8.5/8.0	950.0/21 5909	1092.5	48.1
48B-3	76.2	45.72	45.72	29.24	2 8 1. 6	2 8 9. 4	63.8	12月10 日	1500.0/3 40909	1710	75

OEM Available

## Packing:

Poly Bag/Carton/Wooden Box