

## SHACKLE

# Type D14 End Joining Shackle with Round Pin

ISO9001 Supplier

Class Certificate

Export Supply

Material : Alloy steel, Grade R3/R3S/R4/R4S/R5 Finish : Painted Standard certification : Certificate of Conformity Also to be used for mooring applications Non-standard sizes or custom products availabl...



## Key Highlights

Category	Shackle
Standard	EN
Material	Grade R3/R3S/R4/R4S/R5
Weight / Size	Certificate of Conformity Also to be used for mooring applications Non-s...
Certificate	ABS, LR, BV, DNVGL, NK, KR, IRS, RMRS, CCS

We can supply according to your requirement, drawings, class certificate needs, and delivery schedule.

## Technical Specifications

Category	Shackle	Model / SKU	Type-D14-End-Joining-Shackle-with-Round-Pin
Standard	EN	Material	Grade R3/R3S/R4/R4S/R5
Weight / Size	Certificate of Conformity Also to be used for mooring applications Non-standard sizes or custom products available on request.	Surface	Painted
Certificate	ABS, LR, BV, DNVGL, NK, KR, IRS, RMRS, CCS	Warranty	12 Months unless specified otherwise
Origin	China		

## CONTENTS

- China Type D14 End Joining Shackle with Round Pin:
- End Joining Shackle Size



## China Type D14 End Joining Shackle with Round Pin:

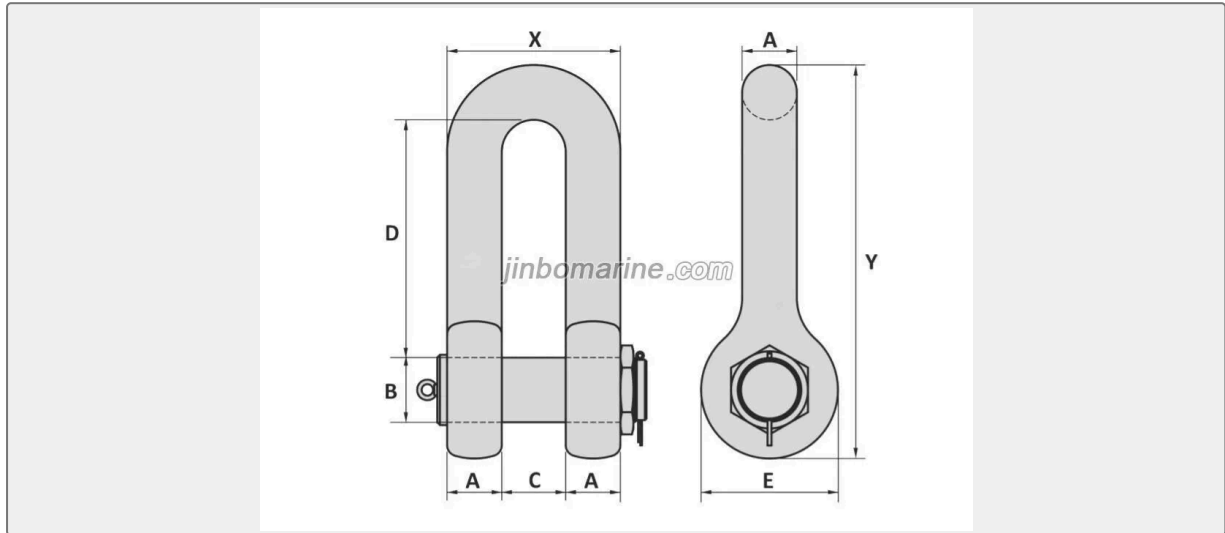
Material : Alloy steel, Grade R3/R3S/R4/R4S/R5

Finish : Painted

Standard certification : Certificate of Conformity

Also to be used for mooring applications Non-standard sizes or custom products available on request.

## End Joining Shackle Size



$A = 1.2 \times \text{chain diameter}$

$B = 1.4 \times \text{chain diameter}$

$C = 1.4 \times \text{chain diameter}$

$D = 5.2 \times \text{chain diameter}$

$E = 3.0 \times \text{chain diameter}$

$X = 3.8 \times \text{chain diameter}$

$Y = 8.6 \times \text{chain diameter}$

For more, please contact us.