

Jinbo Marine

Marine & Offshore Equipment Datasheet

PRODUCT DATASHEET

SHACKLE

Type D15 Dee Safety Pin Shackle

Material: high strength alloy steel Safety Factory: 5 Times Finish: Painted. Type D15 Dee Safety Pin Shackle Size WLL(Ton) A(mm) B(mm) ...

ISO9001 Supplier

Class Certificate

Export Supply



Key Highlights

Category	Shackle
Standard	EN
Material	Material:
Weight / Size	Type D15 Dee Safety Pin Shackle Size WLL(Ton) A(mm) B(mm) C(mm) D(mm) E(...)
Certificate	ABS, LR, BV, DNVGL, NK, KR, IRS, RMRS, CCS

We can supply according to your requirement, drawings, class certificate needs, and delivery schedule.



Technical Specifications			
Category	Shackle	Model / SKU	Type-D15-Dee-Safety-Pin-Shackle
Standard	EN	Material	Material:
Weight / Size	Type D15 Dee Safety Pin Shackle Size WLL(Ton) A(mm) B(mm) C(mm) D(mm) E(mm) L(mm) X(mm) Y(mm) Weight(kg) 120 89 95 150 270 200 420 328 504 100 150 102 108 170 315 230 475 374 586 143 175 100 110 150 360 220 450 350 625 135 200 120 125 180 500 260 520 420 813 239 250 130 140 195 460 280 565 455 795 268 300 140 150 205 500 300 595 485 855 332 350 150 160 220 520 320 630 520 910 403 400 160 170 235 580 340 665 555 965 484 450 170 180 250 600 360 700 590 1025 576 500 180 190 265 620 380 735 625 1080 678 550 190 215 285 665 405 795 665 1165 840	Surface	Painted
Certificate	ABS, LR, BV, DNVGL, NK, KR, IRS, RMRS, CCS	Warranty	12 Months unless specified otherwise
Origin	China		

CONTENTS

- China Type D15 Dee Safety Pin Shackle:

- Type D15 Dee Safety Pin Shackle Size

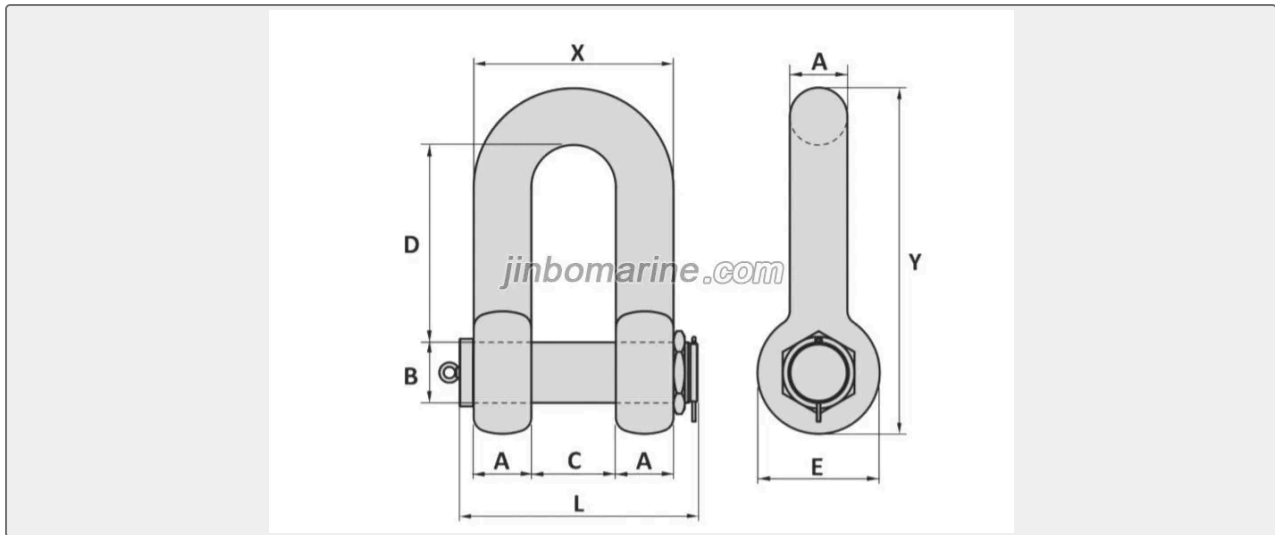
China Type D15 Dee Safety Pin Shackle:

Material: high strength alloy steel

Safety Factory: 5 Times

Finish: Painted.

Type D15 Dee Safety Pin Shackle Size



WLL(Ton)	A(mm)	B(mm)	C(mm)	D(mm)	E(mm)	L(mm)	X(mm)	Y(mm)	Weight(kg)
120	89	95	150	270	200	420	328	504	100
150	102	108	170	315	230	475	374	586	143
175	100	110	150	360	220	450	350	625	135
200	120	125	180	500	260	520	420	813	239
250	130	140	195	460	280	565	455	795	268
300	140	150	205	500	300	595	485	855	332
350	150	160	220	520	320	630	520	910	403
400	160	170	235	580	340	665	555	965	484
450	170	180	250	600	360	700	590	1025	576
500	180	190	265	620	380	735	625	1080	678
550	190	215	285	665	405	795	665	1165	840