


SHACKLE

Type D16 Joining Shackle with Pear Pin

- ISO9001 Supplier
- Class Certificate
- Export Supply

Material : Alloy steel, Grade R3/R3S/R4/R4S/R5. Finish : Painted. Standards : ISO 1704.
 Standard certification : Certificate of Conformity. Also to be used for mooring applications
 Non-standard si...



Key Highlights

| | |
|----------------------|---|
| Category | Shackle |
| Standard | ISO |
| Material | Grade R3/R3S/R4/R4S/R5 |
| Weight / Size | Also to be used for mooring applications Non-standard sizes or custom pr... |
| Certificate | ABS, LR, BV, DNVGL, NK, KR, IRS, RMRS, CCS |

We can supply according to your requirement, drawings, class certificate needs, and delivery schedule.

| Technical Specifications | | | |
|--------------------------|--|--------------------|--|
| Category | Shackle | Model / SKU | Type-D16-Joining-Shackle-with-Pear-Pin |
| Standard | ISO | Material | Grade R3/R3S/R4/R4S/R5 |
| Weight / Size | Also to be used for mooring applications Non-standard sizes or custom products available on request. | Surface | Painted |
| Certificate | ABS, LR, BV, DNVGL, NK, KR, IRS, RMRS, CCS | Warranty | 12 Months unless specified otherwise |
| Origin | China | | |

China Type D16 Joining Shackle with Pear Pin:

Material : Alloy steel, Grade R3/R3S/R4/R4S/R5.

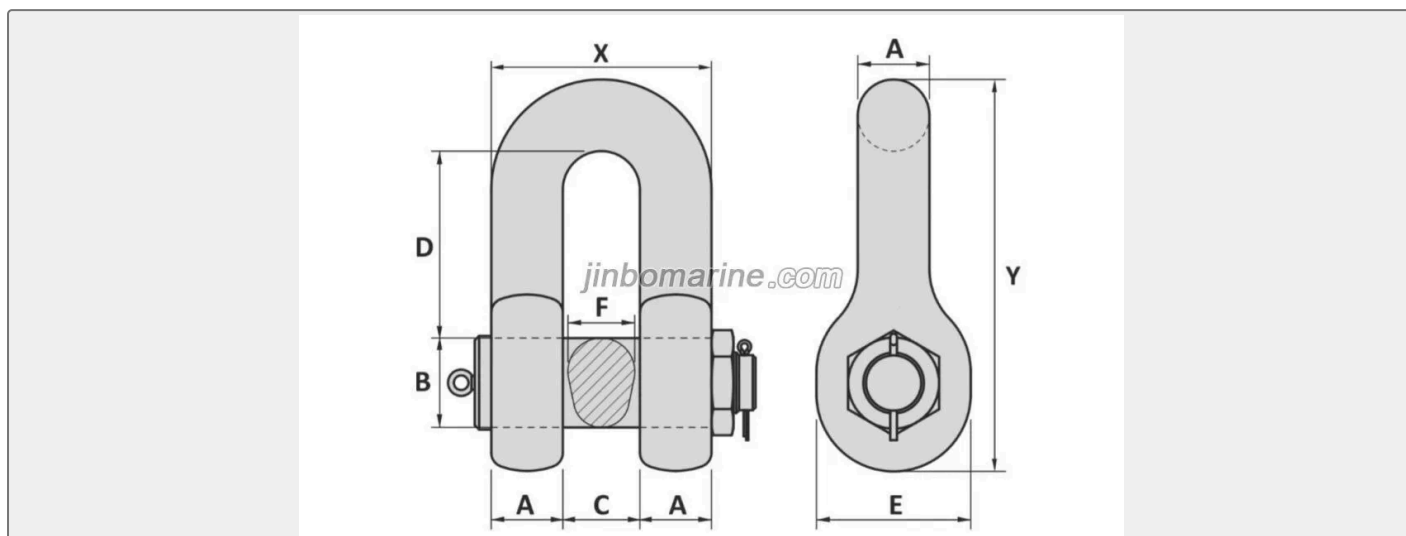


Finish : Painted.

Standards : ISO 1704.

Standard certification : Certificate of Conformity.

Also to be used for mooring applications Non-standard sizes or custom products available on request.



$A = 1.2 \times \text{chain diameter}$

$B = 1.4 \times \text{chain diameter}$

$C = 1.4 \times \text{chain diameter}$

$D = 5.2 \times \text{chain diameter}$

$E = 3.0 \times \text{chain diameter}$

$X = 3.8 \times \text{chain diameter}$

$Y = 8.6 \times \text{chain diameter}$