

SHACKLE

Type D17 Anchor Shackle with Oval Pin

Material : Alloy steel, Grade R3/R3S/R4/R4S/R5. Finish : Painted. Standards : ISO 1704.
 Temperature range : -40°C up to +200°C, Polar Rated Standard certification : Certificate of Conformity 3.1 ...

ISO9001 Supplier

Class Certificate

Export Supply



Key Highlights

| | |
|---------------|---|
| Category | Shackle |
| Standard | ISO |
| Material | Grade R3/R3S/R4/R4S/R5 |
| Weight / Size | Certificate of Conformity 3.1 material certificate EN 10204 Also to be u... |
| Certificate | ABS, LR, BV, DNVGL, NK, KR, IRS, RMRS, CCS |

We can supply according to your requirement, drawings, class certificate needs, and delivery schedule.

Technical Specifications

| | | | |
|---------------|--|-------------|---------------------------------------|
| Category | Shackle | Model / SKU | Type-D17-Anchor-Shackle-with-Oval-Pin |
| Standard | ISO | Material | Grade R3/R3S/R4/R4S/R5 |
| Weight / Size | Certificate of Conformity 3.1 material certificate EN 10204 Also to be used for mooring applications Non-standard sizes or custom products available on request. | Surface | Painted |
| Certificate | ABS, LR, BV, DNVGL, NK, KR, IRS, RMRS, CCS | Warranty | 12 Months unless specified otherwise |
| Origin | China | | |

China Type D17 Anchor Shackle with Oval Pin:

Material : Alloy steel, Grade R3/R3S/R4/R4S/R5.



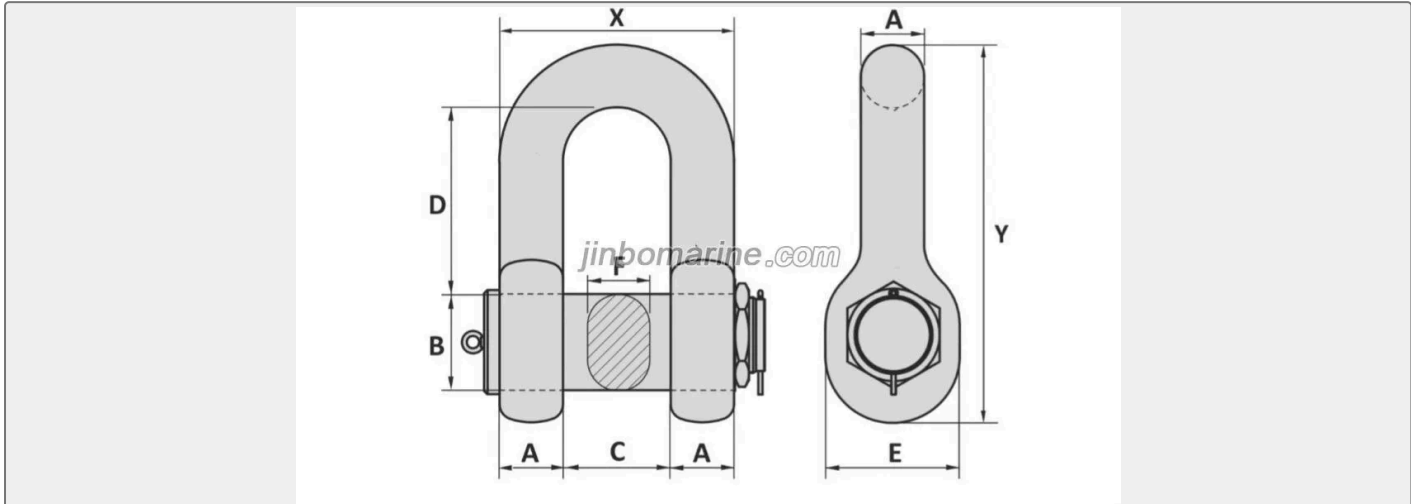
Finish : Painted.

Standards : ISO 1704.

Temperature range : -40°C up to +200°C,

Polar Rated Standard certification : Certificate of Conformity 3.1 material certificate EN 10204

Also to be used for mooring applications Non-standard sizes or custom products available on request.



$A = 1.4 \times \text{chain diameter}$

$B = 1.8 \times \text{chain diameter}$

$C = 2.4 \times \text{chain diameter}$

$D = 4.6 \times \text{chain diameter}$

$E = 3.1 \times \text{chain diameter}$

$F = 1.4 \times \text{chain diameter}$

$X = 5.2 \times \text{chain diameter}$

$Y = 8.7 \times \text{chain diameter}$