

SHACKLE

Type D18 D Shackle with Roulette Thimble

ISO9001 Supplier

Class Certificate

Export Supply

Material : Alloy steel, Grade R3/R3S/R4/R4S/R5 . Finish : Shackle: Painted Roulette thimble: Galvanized (MODU: Painted) . Temperature range : -40°C up to +200°C, Polar Rated . Standard certificati...



Key Highlights

Category	Shackle
Standard	EN
Material	High Strength Alloy Steel
Weight / Size	PL(KN) BL(KN) Type A B C D E F G H R Weight(kg) 4886 6965 A 108 125 215 ...
Certificate	ABS, LR, BV, DNVGL, NK, KR, IRS, RMRS, CCS

We can supply according to your requirement, drawings, class certificate needs, and delivery schedule.

Technical Specifications

Category	Shackle	Model / SKU	Type-D18-D-Shackle-with-Roulette-Thimble
Standard	EN	Material	High Strength Alloy Steel
Weight / Size	PL(KN) BL(KN) Type A B C D E F G H R Weight(kg) 4886 6965 A 108 125 215 545 230 160 580 360 90 409 8478 10754 A 144 168 290 600 340 230 690 414 120 794 10700 13573 A 165 180 310 600 330 250 750 450 140 974 11889 15059 A 175 200 310 620 370 250 750 450 130 1107	Surface	Painted
Certificate	ABS, LR, BV, DNVGL, NK, KR, IRS, RMRS, CCS	Warranty	12 Months unless specified otherwise
Origin	China		



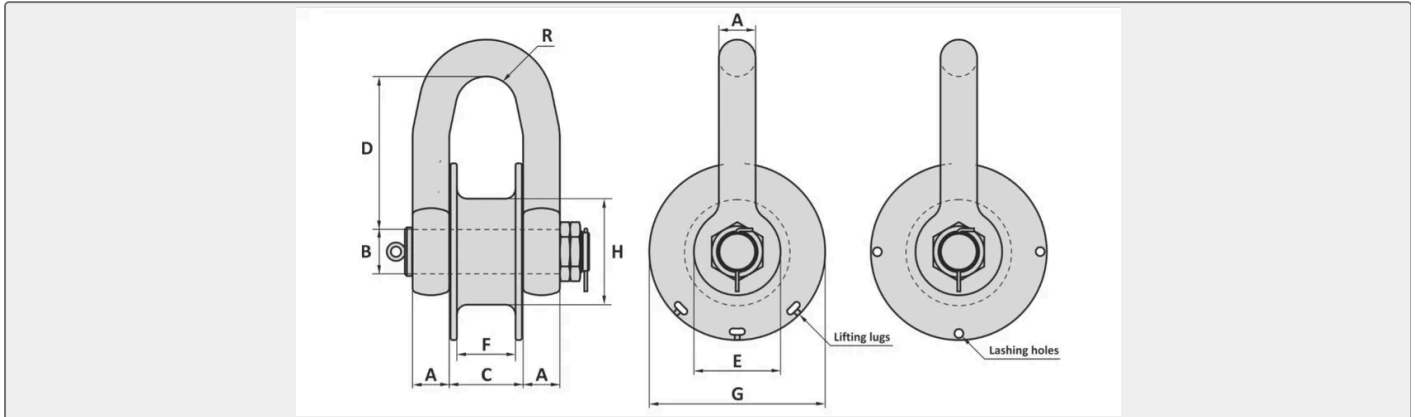
China Type D18 D Shackle with Roulette Thimble:

Material : Alloy steel, Grade R3/R3S/R4/R4S/R5 .

Finish : Shackle: Painted Roulette thimble: Galvanized (MODU: Painted) .

Temperature range : -40°C up to +200°C, Polar Rated .

Standard certification : Certificate of Conformity 3.1 material certificate EN 10204.



PL(KN)	BL(KN)	Type	A	B	C	D	E	F	G	H	R	Weight(kg)
4886	6965	A	108	125	215	545	230	160	580	360	90	409
8478	10754	A	144	168	290	600	340	230	690	414	120	794
10700	13573	A	165	180	310	600	330	250	750	450	140	974
11889	15059	A	175	200	310	620	370	250	750	450	130	1107