

# Jinbo Marine

Marine & Offshore Equipment Datasheet

PRODUCT DATASHEET

## MARINE FIN STABILIZER

# Type JQB Mini Fin Stabilizer

Type mini fin stabilizer is composed of two Actuators, two Fins, one Hydraulic Power Unit, one Operation Panel and one Control Box, etc. Features Mini fin stabilizer has the features of small fin area, light ...

ISO9001 Supplier

Class Certificate

Export Supply



### Key Highlights

<b>Category</b>	Marine Fin Stabilizer
<b>Standard</b>	DIN
<b>Material</b>	Application This type of fin stabilizer is suitable for traffic boat an...
<b>Weight / Size</b>	Features Mini fin stabilizer has the features of small fin area, light i...
<b>Certificate</b>	ABS, LR, BV, DNVGL, NK, KR, IRS, RMRS, CCS

We can supply according to your requirement, drawings, class certificate needs, and delivery schedule.

Technical Specifications			
<b>Category</b>	Marine Fin Stabilizer	<b>Model / SKU</b>	Type-JQB-Mini-Fin-Stabilizer
<b>Standard</b>	DIN	<b>Material</b>	Application This type of fin stabilizer is suitable for traffic boat and yacht with displacement not more than 90 tons, including glass steel yacht or any yachts of advanced composites Type JQB Mini Fin Stabilizer Parameter Specification Model Fin Area(m2) Displacement(t) State/H(1/3) (m) Power(Kw) Weight(Kg) JQB-0.25-60 0.25 < 50 3/1.0 3 300 JQB-0.35-60 0.35 50-70 3/1.0 4 330 JQB-0.45-60 0.45 70-90 4/1.5 5.5 390
<b>Weight / Size</b>	Features Mini fin stabilizer has the features of small fin area, light in weight, good reliability, low noise, good performance and low prices etc.	<b>Certificate</b>	ABS, LR, BV, DNVGL, NK, KR, IRS, RMRS, CCS
<b>Warranty</b>	12 Months unless specified otherwise	<b>Origin</b>	China

<b>CONTENTS</b>	<ul style="list-style-type: none"> <li>■ China Type JQB Mini Fin Stabilizer:</li> <li>■ Application</li> </ul>	<ul style="list-style-type: none"> <li>■ Features</li> <li>■ Type JQB Mini Fin Stabilizer Parameter Specification</li> </ul>
-----------------	--	--

## China Type JQB Mini Fin Stabilizer:

Type mini fin stabilizer is composed of two Actuators, two Fins, one Hydraulic Power Unit, one Operation Panel and one Control Box, etc.

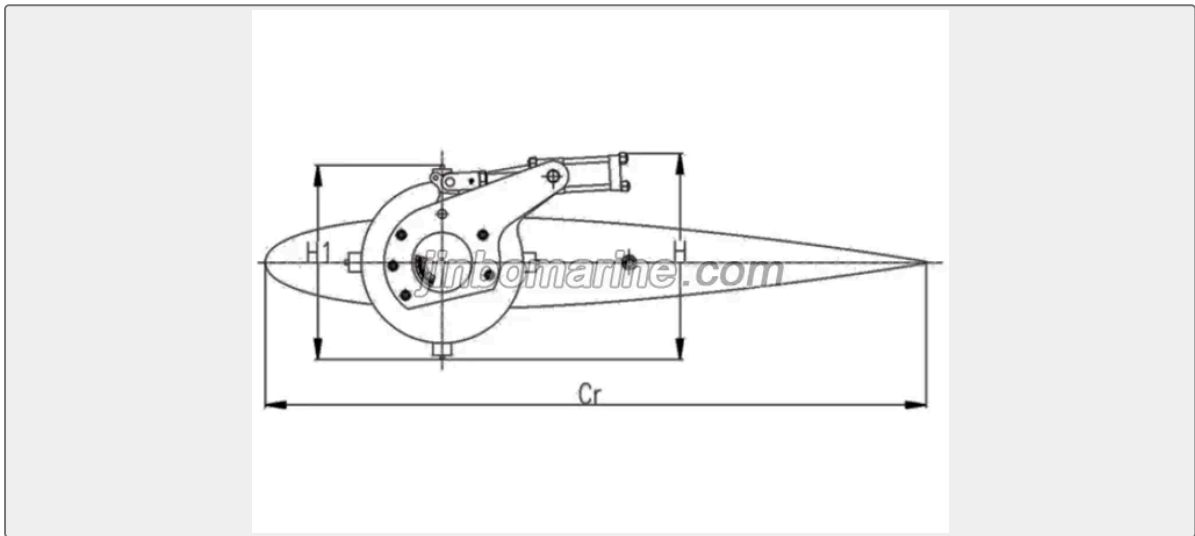
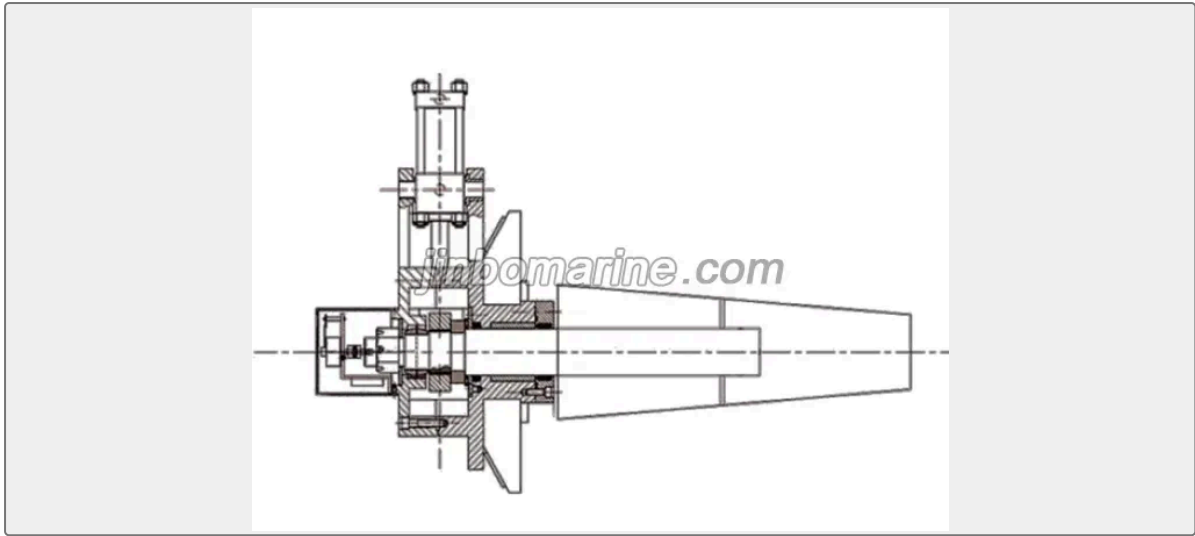
## Features

Mini fin stabilizer has the features of small fin area, light in weight, good reliability, low noise, good performance and low prices etc.

The mini fin stability is specifically designed with one HPU for the two fins, making the equipment more compact and reliable.

## Application

This type of fin stabilizer is suitable for traffic boat and yacht with displacement not more than 90 tons, including glass steel yacht or any yachts of advanced composites



## Type JQB Mini Fin Stabilizer Parameter Specification

Model	Fin Area(m <sup>2</sup> )	Displacement(t)	State/H(1/3) (m)	Power(Kw)	Weight(Kg)
JQB-0.25-60	0.25	< 50	3/1.0	3	300
JQB-0.35-60	0.35	50-70	3/1.0	4	330
JQB-0.45-60	0.45	70-90	4/1.5	5.5	390