

# Jinbo Marine

Marine & Offshore Equipment Datasheet

PRODUCT DATASHEET

## MARINE FIN STABILIZER

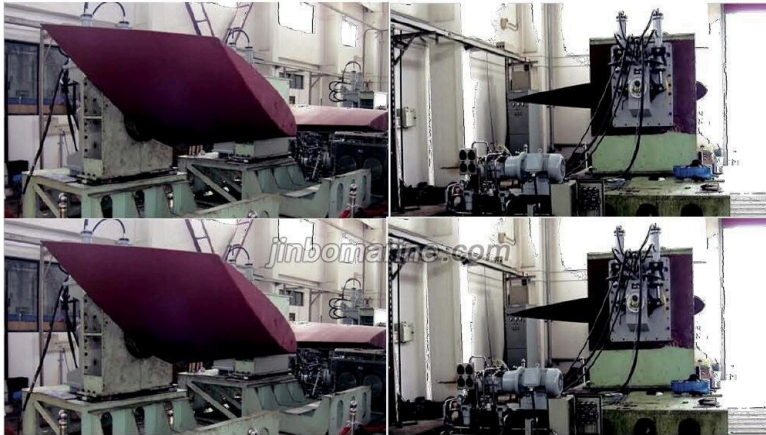
# Type JQB Non-retractable Fin Stabilizer

The JQB retractable fin stabilizer is composed of Actuators, Fins, Fin boxes, Hydraulic Units, and Electrical Units, etc. The Fins are installed on the port and starboard bilge of the ship respectively. ...

ISO9001 Supplier

Class Certificate

Export Supply



## Key Highlights

Category	Marine Fin Stabilizer
Standard	EN
Weight / Size	Application Type JQB stabilizer is specifically designed for middle and ...
Certificate	ABS, LR, BV, DNVGL, NK, KR, IRS, RMRS, CCS

We can supply according to your requirement, drawings, class certificate needs, and delivery schedule.

## Technical Specifications

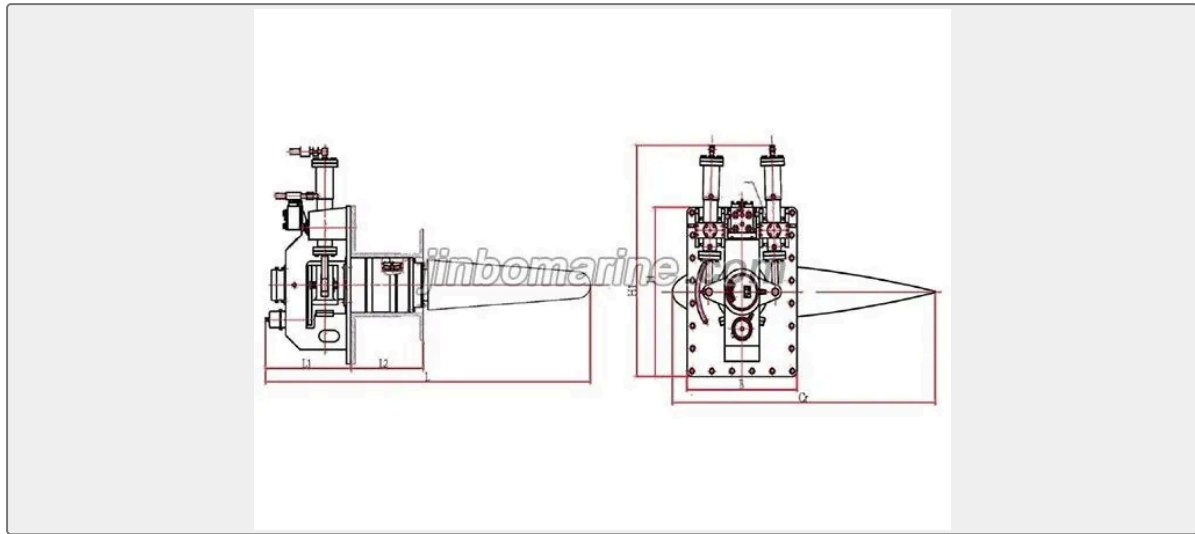
Category	Marine Fin Stabilizer	Model / SKU	Type-JQB-Non-retractable-Fin-Stabilizer
Standard	EN	Weight / Size	Application Type JQB stabilizer is specifically designed for middle and small size vessels with thin bilge.
Certificate	ABS, LR, BV, DNVGL, NK, KR, IRS, RMRS, CCS	Warranty	12 Months unless specified otherwise
Origin	China		

## CONTENTS

- China Type JQB Non-retractable Fin Stabilizer:
- Application
- Characteristic
- Type JQB Non-retractable Fin Stabilizer Parameter Specification

## China Type JQB Non-retractable Fin Stabilizer:

The JQB retractable fin stabilizer is composed of Actuators, Fins, Fin boxes, Hydraulic Units, and Electrical Units, etc. The Fins are installed on the port and starboard bilge of the ship respectively.



## Characteristic

Relative simplicity, Good reliability and small occupy.

The fins will be locked as zero angle automatically when stopped.

Trapezoid fin with great hydrodynamic performance features.

Suitable for variety of complex sea states with high frequency response.

## Application

Type JQB stabilizer is specifically designed for middle and small size vessels with thin bilge.

## Type JQB Non-retractable Fin Stabilizer Parameter Specification

Model	Fin Area(m <sup>2</sup> )	Displacement(t)	State/H(1/3) (m)	Power(Kw),one pair	Weight(Ton),one pair
JQB-1-130	1	100-400	4/2.0	11	1.9
JQB-2-170	1.6	400-800	5/2.5	30	4.1
JQB-3-200	2.5	800-1000	5/3.5	30	5.8
JQB-4-240	3.5	1000-1900	5/3.5	44	9.4
JQB-5-280	4.5	1900-2800	6/4.0	44	13.1
JQB-6-340	5.5	2800-3800	6/4.5	60	18.3
JQB-7-380	6.5	3800-4500	6/5.0	60	19.5