

MARINE FIN STABILIZER

# Type JQF Forward Retractable Fin Stabilizer

ISO9001 Supplier

Class Certificate

Export Supply

Type JQF retractable fin stabilizer is composed of Actuators, Fins, and Fin Boxes, Hydraulic Power Units, And Electrical Units, etc. The fins are installed on the port and starboard of bilge of the ship respectively. ...



## Key Highlights

<b>Category</b>	Marine Fin Stabilizer
<b>Standard</b>	EN
<b>Weight / Size</b>	Application Type JQF is specifically designed for middle and large size ...
<b>Certificate</b>	ABS, LR, BV, DNVGL, NK, KR, IRS, RMRS, CCS

We can supply according to your requirement, drawings, class certificate needs, and delivery schedule.

## Technical Specifications

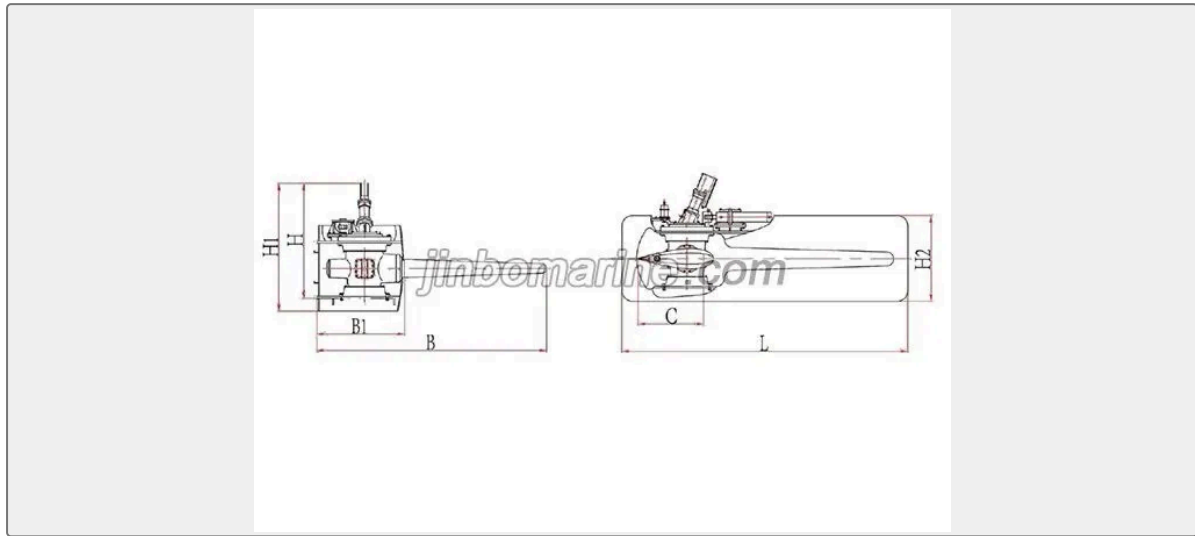
<b>Category</b>	Marine Fin Stabilizer	<b>Model / SKU</b>	Type-JQF-Forward-Retractable-Fin-Stabilizer
<b>Standard</b>	EN	<b>Weight / Size</b>	Application Type JQF is specifically designed for middle and large size ships which with fat bilge.
<b>Certificate</b>	ABS, LR, BV, DNVGL, NK, KR, IRS, RMRS, CCS	<b>Warranty</b>	12 Months unless specified otherwise
<b>Origin</b>	China		

**CONTENTS**

- China Type JQF Forward Retractable Fin Stabilizer:
- Application
- Features
- Type JQF Forward Retractable Fin Stabilizer Parameter Specification

## China Type JQF Forward Retractable Fin Stabilizer:

Type JQF retractable fin stabilizer is composed of Actuators, Fins, and Fin Boxes, Hydraulic Power Units, And Electrical Units, etc. The fins are installed on the port and starboard of bilge of the ship respectively. When turn the power on, the fins are extender out from the fin boxes, and when stopped. It retracted back into the fin boxes, JQF type are housed forward into the fin boxes.



## Features

The actuator and the hull are in one module, minimizing the workload of installation in the shipyard.

Simple structure and high reliability.

Due to its high lift coefficient, the flap-tail fin can produce 50% more lift force than non-retractable fin with the same area. The fish-tail and flap-tail fins can produce 20% more lift force than the fish-tail fins.

## Application

Type JQF is specifically designed for middle and large size ships which with fat bilge.

## Type JQF Forward Retractable Fin Stabilizer Parameter Specification

Model	Fin Area(m <sup>2</sup> )	Displacement(t)	State/H(1/3) (m)	Power(Kw),one pair	Weight(Ton),one pair
JQF-2-240	2	1800	5/3.5	37	18
JQF-3-380	3	1800-3000	6/4.0	37	24.6
JQF-4-340	4	3000-4000	6/4.0	60	34.2
JQF-5-400	5	4000-5000	6/5.0	60	47.9
JQF-6-460	6	5500-10000	6/5.0	60	62
JQF-8-530	8	10000-25000	6/ < 6	90	87.5