

Jinbo Marine

Marine & Offshore Equipment Datasheet

PRODUCT DATASHEET

HOOK

U-Bolt With Washer And Nuts

A mm B mm C mm D mm E mm M mm 45 12 30 30 60 ...

- ISO9001 Supplier
- Class Certificate
- Export Supply



Key Highlights

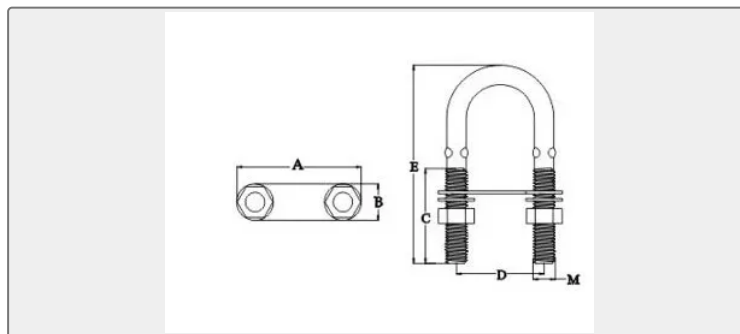
Category	Hook
Material	Stainless steel
Certificate	ABS, LR, BV, DNVGL, NK, KR, IRS, RMRS, CCS

We can supply according to your requirement, drawings, class certificate needs, and delivery schedule.

Technical Specifications

Category	Hook	Model / SKU	U-BOLT-WITH-WASHER-AND-NUTS
Material	Stainless steel	Certificate	ABS, LR, BV, DNVGL, NK, KR, IRS, RMRS, CCS
Warranty	12 Months unless specified otherwise	Origin	China

China U-Bolt With Washer And Nuts:



A mm	B mm	C mm	D mm	E mm	M mm
45	12	30	30	60	M4
50	13	40	36	80	M5
50	15	40	36	90	M6
50	15	40	36	80	M8
50	15	50	35	100	M8
70	20	55	52	90	M10
70	20	55	52	130	M12
83	23	65	62	150	M12