

Jinbo Marine

Marine & Offshore Equipment Datasheet

PRODUCT DATASHEET

TURNBUCKLE

U.S. Type Turnbuckles With Eye And Eye

ISO9001 Supplier

Class Certificate

Export Supply

Main Specification Turnbuckle usually Forged, Free forged and Casting. The surface of turnbuckle original color, galvanised,hot galvanized Material is 45# Steel, Q235 Size Table ...



Key Highlights

Category	Turnbuckle
Standard	EN
Material	45# Steel, Q235
Weight / Size	The surface of turnbuckle original color, galvanised,hot galvanized Mate...
Certificate	ABS, LR, BV, DNVGL, NK, KR, IRS, RMRS, CCS

We can supply according to your requirement, drawings, class certificate needs, and delivery schedule.



Technical Specifications

Category	Turnbuckle	Model / SKU	U-S-Type-Turnbuckles-With-Eye-And-Eye
Standard	EN	Material	45# Steel, Q235

Weight / Size

The surface of turnbuckle original color, galvanised,hot galvanized
 Material is 45# Steel, Q235 Size
 Table Thread Dia & Take Up
 WLL(lbs) Weight(lbs)
 Dimensions(in) A J Open K Closed
 M Open N Closed R S X Closed
 BB 1/4x4 500 0.29 0.25 11.94 7.94
 12.38 8.38 0.81 0.34 1.76 4.07
 5/16x4 1/2 800 0.48 0.31 13.92
 9.42 14.48 9.98 0.95 0.44 2.2 4.58
 3/8x6 1200 0.75 0.38 17.56 11.56
 18.24 12.24 1.13 0.53 2.48 6.1
 1/2x6 2200 1.72 0.5 19.94 13.94
 20.82 14.82 1.41 0.71 3.56 6.03
 1/2x12 2200 2.63 0.5 32.23 20.23
 33.11 21.11 1.41 0.71 3.54 12.36
 5/8x6 3500 2.75 0.63 21.72 15.72
 22.72 16.72 1.8 0.88 4.35 6.03
 5/8x12 3500 4.12 0.63 34.06
 22.06 35.06 23.06 1.8 0.88 4.34
 12.39 3/4x6 5200 4.22 0.75 23.24
 17.24 24.5 18.5 2.09 1 5.12 6.13
 3/4x12 5200 6.12 0.75 35.64
 23.64 36.9 24.9 2.09 1 5.09 12.59
 3/4x18 5200 7.83 0.75 47.64
 29.64 48.9 30.9 2.09 1 5.12 18.53
 7/8x12 7200 8.83 0.88 36.7 24.7
 38.2 26.2 2.38 1.25 5.79 12.16
 7/8x18 7200 11.5 0.88 49.17 31.17
 50.67 32.67 2.38 1.25 5.79 18.63
 1x6 10000 9.62 1 26.24 20.24 28
 22 3 1.43 6.5 6.18 1x12 10000 13
 1 38.24 26.24 40 28 3 1.43 6.5
 12.18 1x18 10000 16.3 1 50.24
 32.24 52 34 3 1.43 6.5 18.18 1x24
 10000 20.2 1 62.84 38.84 64.6
 40.6 3 1.43 6.47 24.84 11/4x12
 15200 19.9 1.25 42.14 30.14
 44.38 32.38 3.59 1.82 8.49 12.06
 11/4x18 15200 23.8 1.25 54.14
 36.14 56.38 38.38 3.59 1.82 8.49
 18.06 11/4x24 15200 27.8 1.25
 66.7 42.7 68.94 44.94 3.59 1.82
 8.49 24.62 11/2x12 21400 28.7 1.5
 44.24 32.24 46.74 34.74 4.09 2.12
 9.46 12.32 11/2x18 21400 34.1 1.5
 56.24 38.24 58.74 40.74 4.09 2.12
 9.46 18.32 11/2x24 21400 39.6 1.5
 68.86 44.86 71.36 47.36 4.09 2.12
 9.46 24.94 13/4x18 28000 50.7
 1.75 57.38 39.38 60.38 42.38 4.65

Surface

galvanized



	2.38 9.97 18.37 13/4x24 28000 58.2 1.75 69.38 45.38 72.38 48.38 4.65 2.38 9.97 24.37 2x24 37000 83.5 2 75.68 51.68 79.18 55.18 5.81 2.69 13.03 24.48 2 1/2x24 60000 149 2.5 79.18 55.18 83.18 59.18 6.49 3.12 13.76 24.6 2 3/4x24 75000 174 2.75 81.34 57.34 85.84 61.84 7 3.25 15.09 24.65		
Certificate	ABS, LR, BV, DNVGL, NK, KR, IRS, RMRS, CCS	Warranty	12 Months unless specified otherwise
Origin	China		

CONTENTS	<input checked="" type="checkbox"/> Main Specification <input type="checkbox"/> Size Table
-----------------	--

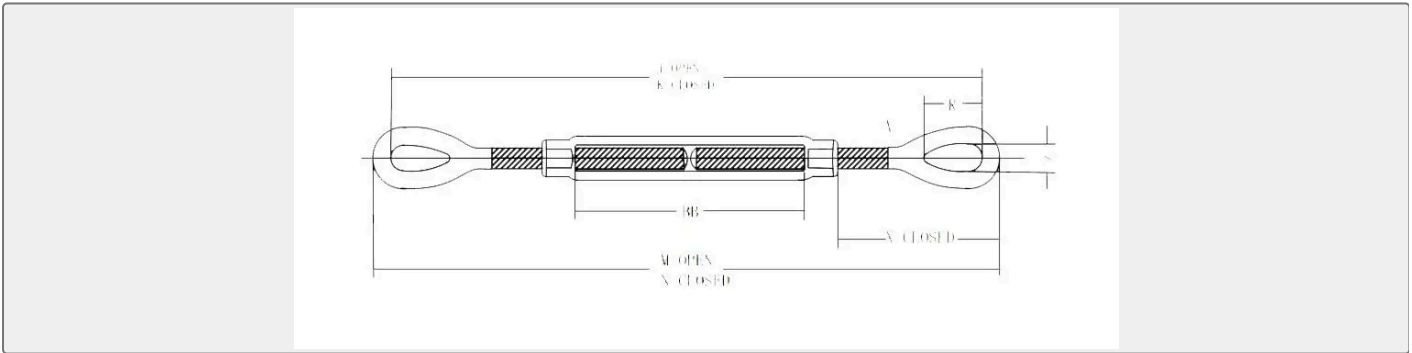
Main Specification

Turnbuckle usually Forged, Free forged and Casting.

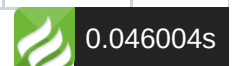
The surface of turnbuckle original color, galvanised,hot galvanized

Material is 45# Steel, Q235

Size Table



Thread Dia & Take Up	WLL(lbs)	Weight(lbs)	Dimensions(in)								
			A	J Open	K Closed	M Open	N Closed	R	S	X Closed	BB
1/4x4	500	0.29	0.25	11.94	7.94	12.38	8.38	0.81	0.34	1.76	4.07
5/16x4 1/2	800	0.48	0.31	13.92	9.42	14.48	9.98	0.95	0.44	2.2	4.58
3/8x6	1200	0.75	0.38	17.56	11.56	18.24	12.24	1.13	0.53	2.48	6.1
1/2x6	2200	1.72	0.5	19.94	13.94	20.82	14.82	1.41	0.71	3.56	6.03
1/2x12	2200	2.63	0.5	32.23	20.23	33.11	21.11	1.41	0.71	3.54	12.36
5/8x6	3500	2.75	0.63	21.72	15.72	22.72	16.72	1.8	0.88	4.35	6.03



5/8x12	3500	4.12	0.63	34.06	22.06	35.06	23.06	1.8	0.88	4.34	12.39
3/4x6	5200	4.22	0.75	23.24	17.24	24.5	18.5	2.09	1	5.12	6.13
3/4x12	5200	6.12	0.75	35.64	23.64	36.9	24.9	2.09	1	5.09	12.59
3/4x18	5200	7.83	0.75	47.64	29.64	48.9	30.9	2.09	1	5.12	18.53
7/8x12	7200	8.83	0.88	36.7	24.7	38.2	26.2	2.38	1.25	5.79	12.16
7/8x18	7200	11.5	0.88	49.17	31.17	50.67	32.67	2.38	1.25	5.79	18.63
1x6	10000	9.62	1	26.24	20.24	28	22	3	1.43	6.5	6.18
1x12	10000	13	1	38.24	26.24	40	28	3	1.43	6.5	12.18
1x18	10000	16.3	1	50.24	32.24	52	34	3	1.43	6.5	18.18
1x24	10000	20.2	1	62.84	38.84	64.6	40.6	3	1.43	6.47	24.84
1 1/4x12	15200	19.9	1.25	42.14	30.14	44.38	32.38	3.59	1.82	8.49	12.06
1 1/4x18	15200	23.8	1.25	54.14	36.14	56.38	38.38	3.59	1.82	8.49	18.06
1 1/4x24	15200	27.8	1.25	66.7	42.7	68.94	44.94	3.59	1.82	8.49	24.62
1 1/2x12	21400	28.7	1.5	44.24	32.24	46.74	34.74	4.09	2.12	9.46	12.32
1 1/2x18	21400	34.1	1.5	56.24	38.24	58.74	40.74	4.09	2.12	9.46	18.32
1 1/2x24	21400	39.6	1.5	68.86	44.86	71.36	47.36	4.09	2.12	9.46	24.94
1 3/4x18	28000	50.7	1.75	57.38	39.38	60.38	42.38	4.65	2.38	9.97	18.37
1 3/4x24	28000	58.2	1.75	69.38	45.38	72.38	48.38	4.65	2.38	9.97	24.37
2x24	37000	83.5	2	75.68	51.68	79.18	55.18	5.81	2.69	13.03	24.48
2 1/2x24	60000	149	2.5	79.18	55.18	83.18	59.18	6.49	3.12	13.76	24.6
2 3/4x24	75000	174	2.75	81.34	57.34	85.84	61.84	7	3.25	15.09	24.65