

# Jinbo Marine

Marine & Offshore Equipment Datasheet

PRODUCT DATASHEET

## MARINE CONSERVATION

# UIT Poratable Oil Water Interface Detector

ISO9001 Supplier

Class Certificate

Export Supply

UIT Portable Oil Water Interface Detector is composed of probe, rule and display unit. It is mainly used to measure the oil level or water level in a tank, as well as temperature of oil or water. A. GB/T 12921-...



### Key Highlights

Category	Marine Conservation
Standard	GB
Certificate	ABS, LR, BV, DNVGL, NK, KR, IRS, RMRS, CCS

We can supply according to your requirement, drawings, class certificate needs, and delivery schedule.

### Technical Specifications

Category	Marine Conservation	Model / SKU	UIT-Poratable-Oil-Water-Interface-Detector
Standard	GB	Surface	15m, 30m Tape format Metric system minimum scale 1mm Minimum detector level surface:
Certificate	ABS, LR, BV, DNVGL, NK, KR, IRS, RMRS, CCS	Warranty	12 Months unless specified otherwise
Origin	China		

#### CONTENTS

■ China UIT Poratable Oil Water Interface Detector:

■ Technical Specification

## China UIT Poratable Oil Water Interface Detector:

UIT Portable Oil Water Interface Detector is composed of probe, rule and display unit. It is mainly used to measure the oil level or water level in a tank, as well as temperature of oil or water.

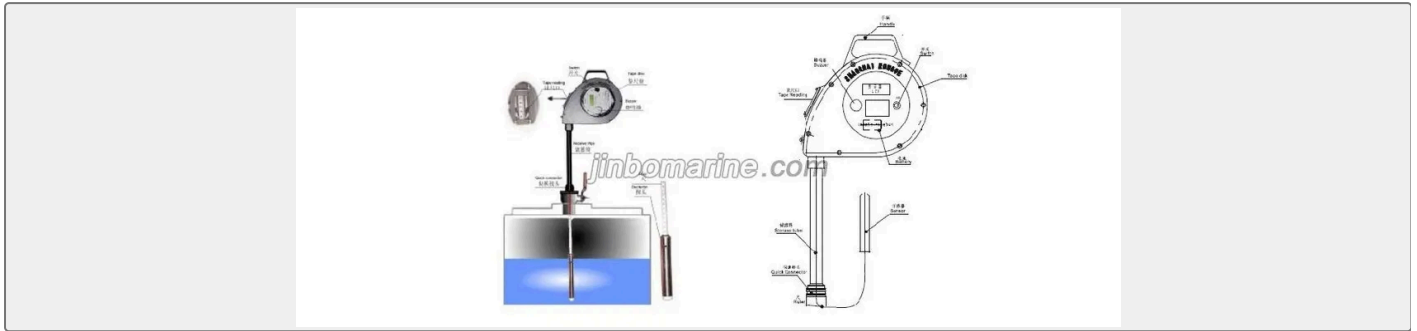


A. GB/T 12921-1991 SHIPPING OILWATER INTERFACE DETECTOR SPECIFICATIONS

B. MEPC5(XII) OILWATER INTERFACE DETECTOR SPECIFICATIONS, OPEN TAPE UTI

The device is with CMC certificate, Explosion certificate, CCS certificate and LR certificate.

The device's tape and probe is patent authority.



## Technical Specification

- Measuring accuracy :<math>\pm 10\text{mm}</math>
- Display mode: hearing type
- Tape length: 15m, 30m
- Tape format Metric system minimum scale 1mm
- Minimum detector level surface: 6mm
- Ambient temperature: - 25°C ~ 70°C
- Medium temperature: - 25°C ~ 110°C
- Density contrast range: 0.06~0.25g/cm<sup>3</sup>
- Tape accuracy: I
- Reaction time :<math>< 3\text{s}</math>
- Ex-proof rank: Exia II BT4
- Shell protection level: detecting head with X8, the shell of display device with IP44
- Interface standard: quick-change coupler B50 JB/ZQ 4078-1997