

# Jinbo Marine

Marine &amp; Offshore Equipment Datasheet

PRODUCT DATASHEET

## MARINE LEVEL SWITCH

# UQK-01 Type Float Type Level Controller With Square Flange

ISO9001 Supplier

Class Certificate

Export Supply

Product Specification: Marine Float Level Controller UQK-01 is widely used in the ship chemical industry and other industrial instrument to carry two place controlling and alarm to the level in liquid tank. ...



### Key Highlights

|               |  |
|---------------|--|
| Category      | Marine Level Switch                        |
| Standard      | EN   |
| Weight / Size | IP66 or IP68 Flange size is optional.      |
| Certificate   | ABS, LR, BV, DNVGL, NK, KR, IRS, RMRS, CCS |

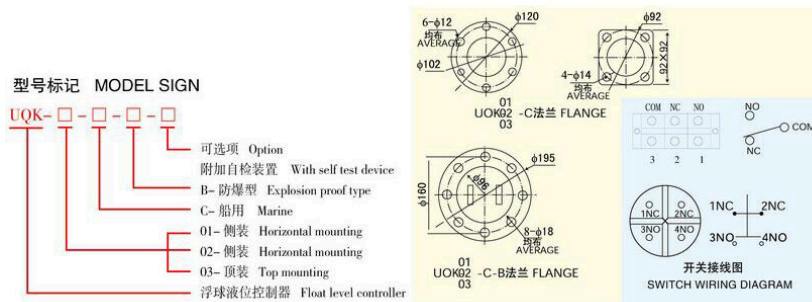
We can supply according to your requirement, drawings, class certificate needs, and delivery schedule.

### Technical Specifications

|             |  |               |  |
|-------------|--|---------------|--|
| Category    | Marine Level Switch                        | Model / SKU   | UQK-01-Type-Float-Type-Level-Controller-With-Square-Flange |
| Standard    | EN   | Weight / Size | IP66 or IP68 Flange size is optional.                      |
| Certificate | ABS, LR, BV, DNVGL, NK, KR, IRS, RMRS, CCS | Warranty      | 12 Months unless specified otherwise                       |
| Origin      | China                                      |               |  |

### Product Specification:

Marine Float Level Controller UQK-01 is widely used in the ship chemical industry and other industrial instrument to carry two place controlling and alarm to the level in liquid tank.



| Model      | Control range | Regulated type              | Mounting position   | Contact capacity  | Float diameter(mm) |
|------------|---------------|-----------------------------|---------------------|---|--------------------|
| UQK-01-C   | 15~30         | Fixed value<br>Unadjustable | Horizontal mounting | SPDT AC 220V<br>1.5A<br>suit for 250VAC<br>10A<br>DC125V 0.6A<br>2 x SPDT(optional) | 50                 |
| UQK-01-C-B |               |                             |                     |   |                    |
| UQK-01-C   | 25~550        | Can be adjust by<br>step    | Top mounting        |   | 76                 |
| UQK-02-C   |               |                             | Horizontal mounting |   | 50                 |
| UQK-02-C-B |               |                             |                     |   | 60                 |
| UQK-02-C-B |               |                             |                     |   | 76                 |
| UQK-03-C   | 8~1000        | Stepless,adjustable         | Top mounting        |   | 76                 |
| UQK-03-C-B |               |                             |                     |   |                    |

Nominal pressure: ≤1Mpa

Medium temperature: ≤120°C

Explosion proof type: Ex d II CT3~T6, Ex ia II CT3~T5.

Protection: IP66 or IP68

Flange size is optional.

