

# Jinbo Marine

Marine & Offshore Equipment Datasheet

PRODUCT DATASHEET

## EYE BOLTS & NUTS

# US Eye Bolt G-277

SIZE A inch B inch C inch D inch E inch F inch G inch H inch J inc...

ISO9001 Supplier

Class Certificate

Export Supply



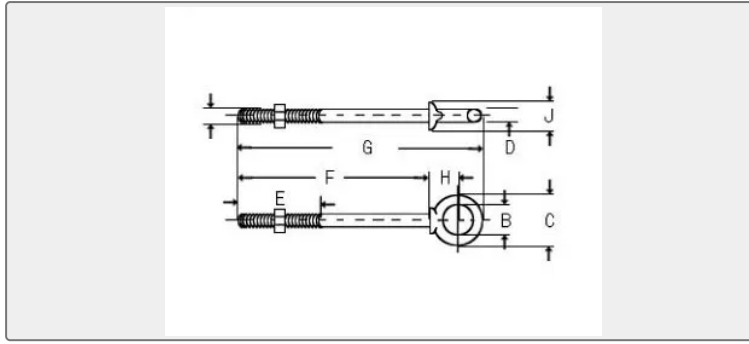
### Key Highlights

<b>Category</b>	Eye Bolts & Nuts
<b>Material</b>	Stainless steel
<b>Weight / Size</b>	SIZE A inch B inch C inch D inch E inch F inch G inch H inch J inch WLL ...
<b>Certificate</b>	ABS, LR, BV, DNVGL, NK, KR, IRS, RMRS, CCS

We can supply according to your requirement, drawings, class certificate needs, and delivery schedule.

Technical Specifications			
<b>Category</b>	Eye Bolts & Nuts	<b>Model / SKU</b>	US-EYE-BOLT-G-277
<b>Material</b>	Stainless steel	<b>Weight / Size</b>	SIZE A inch B inch C inch D inch E inch F inch G inch H inch J inch WLL lbs 1/4x2 0.25 0.5 0.88 0.19 1.5 2 2.94 0.5 0.47 500 1/4x4 0.25 0.5 0.88 0.19 2.5 4 4.94 0.5 0.47 500 5/16 x 21/4 0.31 0.62 1.12 0.25 1.5 2.25 3.5 0.69 0.56 800 5/16 x 41/4 0.31 0.62 1.12 0.25 2.5 4.25 5.5 0.69 0.56 800 3/8 x 21/2 0.38 0.75 1.38 0.31 1.5 2.5 3.97 0.78 0.66 1200 3/8 x 41/2 0.38 0.75 1.38 0.31 2.5 4.5 5.97 0.78 0.66 1200 1/2 x 3/4 0.5 1 1.75 0.38 1.5 3.25 5.12 1 0.91 2200 1/2x6 0.5 1 1.75 0.38 3 6 7.88 1 0.91 2200 5/8x4 0.62 1.25 2.25 0.5 2 4 6.44 1.31 1.12 3500 5/8x6 0.62 1.25 2.25 0.5 3 6 8.44 1.31 1.12 3500 3/4 x 41/2 0.75 1.5 2.75 0.62 2 4.5 7.44 1.56 1.38 5200 3/4x6 0.75 1.5 2.75 0.62 3 6 8.94 1.56 1.38 5200 3/4x5 0.88 1.75 3.25 0.75 2.5 5 8.47 1.84 1.56 7200 1x6 1 2 3.75 0.88 3 6 9.97 2.09 1.81 10000 1x9 1 2 3.75 0.88 4 9 12.97 2.09 1.81 10000 11/4 x 8 1.25 2.25 4.5 1 4 8 12.97 2.47 2.28 15200 11/4X 12 1.25 2.25 4.5 1 4 12 16.72 2.47 2.28 15200 ifex 15 1.25 3 5.5 1.25 6 15 20.75 3 2.75 21400
<b>Certificate</b>	ABS, LR, BV, DNVGL, NK, KR, IRS, RMRS, CCS	<b>Warranty</b>	12 Months unless specified otherwise
<b>Origin</b>	China		

# China US Eye Bolt G-277:



SIZE	A inch	B inch	C inch	D inch	E inch	F inch	G inch	H inch	J inch	WLL lbs
1/4x2	0.25	0.5	0.88	0.19	1.5	2	2.94	0.5	0.47	500
1/4x4	0.25	0.5	0.88	0.19	2.5	4	4.94	0.5	0.47	500
5/16 x 2 1/4	0.31	0.62	1.12	0.25	1.5	2.25	3.5	0.69	0.56	800
5/16 x 4 1/4	0.31	0.62	1.12	0.25	2.5	4.25	5.5	0.69	0.56	800
3/8 x 2 1/2	0.38	0.75	1.38	0.31	1.5	2.5	3.97	0.78	0.66	1200
3/8 x 4 1/2	0.38	0.75	1.38	0.31	2.5	4.5	5.97	0.78	0.66	1200
1/2 x 3/4	0.5	1	1.75	0.38	1.5	3.25	5.12	1	0.91	2200
1/2x6	0.5	1	1.75	0.38	3	6	7.88	1	0.91	2200
5/8x4	0.62	1.25	2.25	0.5	2	4	6.44	1.31	1.12	3500
5/8x6	0.62	1.25	2.25	0.5	3	6	8.44	1.31	1.12	3500
3/4 x 4 1/2	0.75	1.5	2.75	0.62	2	4.5	7.44	1.56	1.38	5200
3/4x6	0.75	1.5	2.75	0.62	3	6	8.94	1.56	1.38	5200
3/4x5	0.88	1.75	3.25	0.75	2.5	5	8.47	1.84	1.56	7200
1x6	1	2	3.75	0.88	3	6	9.97	2.09	1.81	10000
1x9	1	2	3.75	0.88	4	9	12.97	2.09	1.81	10000
1 1/4 x 8	1.25	2.25	4.5	1	4	8	12.97	2.47	2.28	15200
1 1/4X 12	1.25	2.25	4.5	1	4	12	16.72	2.47	2.28	15200
ifex 15	1.25	3	5.5	1.25	6	15	20.75	3	2.75	21400