

Jinbo Marine

Marine & Offshore Equipment Datasheet

PRODUCT DATASHEET

SHACKLE

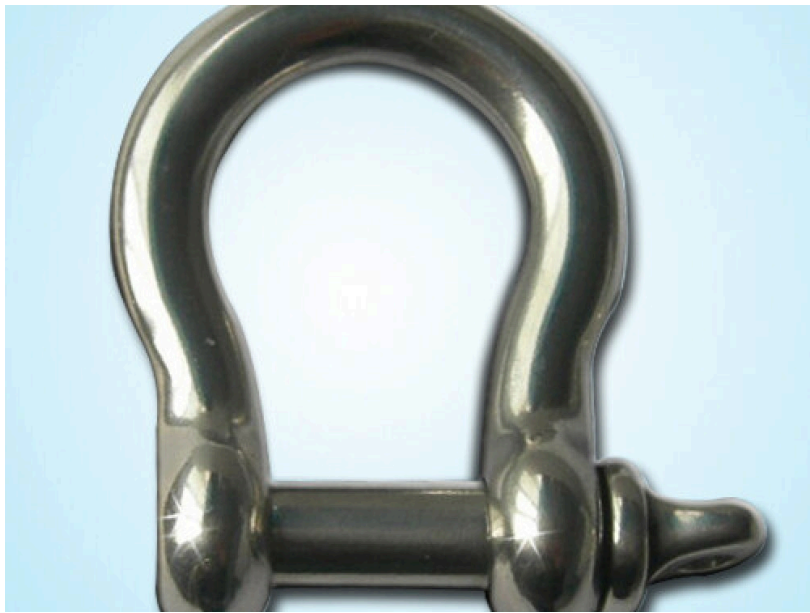
US Type Bow Shackle G209

SIZE A B C D E W.L.L mm Eu Jis Eu Jis ...

ISO9001 Supplier

Class Certificate

Export Supply



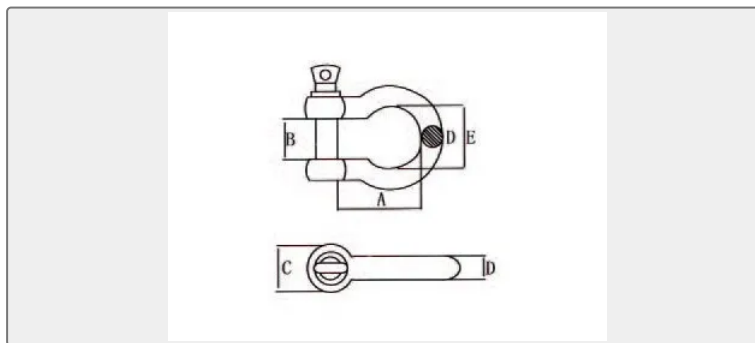
Key Highlights

Category	Shackle
Standard	JIS
Material	Stainless steel
Weight / Size	SIZE A B C D E W.L.L mm Eu Jis Eu Jis Eu Jis Eu Jis Eu Jis Eu Jis Eu Jis 4 16 1...
Certificate	ABS, LR, BV, DNVGL, NK, KR, IRS, RMRS, CCS

We can supply according to your requirement, drawings, class certificate needs, and delivery schedule.

Technical Specifications			
Category	Shackle		Model / SKU US-TYPE-BOW-SHACKLE-G209
Standard	JIS		Material Stainless steel
Weight / Size	SIZE A B C D E W.L.L mm Eu Jis Eu Jis Eu Jis Eu Jis Eu Jis Eu Jis 4 16 14 8 8 8 4 4 4 4 80 50 5 20 16 10 10 10 10 5 5 5 5 100 80 6 24 22 12 12 12 12 6 6 6 6 200 100 8 32 27 16 16 16 16 8 8 8 8 320 200 10 40 31 20 20 20 20 10 10 10 10 520 320 12 48 40 24 24 24 24 12 12 12 12 800 520 14 56 46 28 28 28 28 14 14 14 14 1100 700 16 64 52 32 32 32 32 16 16 16 16 1500 800 18 72 58 36 36 36 36 18 18 18 18 2100 990 20 76 64 40 40 40 40 20 20 20 20 3000 1100 22 88 75 44 44 44 44 22 22 22 22 3500 1500 25 100 83 50 50 50 50 25 25 25 25 5000 2100 28 112 96 56 56 56 56 28 28 28 28 7000 3000 32 128 114 64 64 64 64 32 32 32 32 8000 3500 36 144 116 72 72 72 72 36 36 36 36 — 4600 38 152 152 76 76 76 76 38 38 38 38 — 5000		Certificate ABS, LR, BV, DNVGL, NK, KR, IRS, RMRS, CCS
Warranty	12 Months unless specified otherwise		Origin China

China US Type Bow Shackle G209:



SIZE	A		B		C		D		E		W.L.L	
	Eu	Jis	Eu	Jis	Eu	Jis	Eu	Jis	Eu	Jis	Eu	Jis
4	16	14	8	8	8	8	4	4	4	4	80	50
5	20	16	10	10	10	10	5	5	5	5	100	80

6	24	22	12	12	12	12	6	6	6	6	200	100
8	32	27	16	16	16	16	8	8	8	8	320	200
10	40	31	20	20	20	20	10	10	10	10	520	320
12	48	40	24	24	24	24	12	12	12	12	800	520
14	56	46	28	28	28	28	14	14	14	14	1100	700
16	64	52	32	32	32	32	16	16	16	16	1500	800
18	72	58	36	36	36	36	18	18	18	18	2100	990
20	76	64	40	40	40	40	20	20	20	20	3000	1100
22	88	75	44	44	44	44	22	22	22	22	3500	1500
25	100	83	50	50	50	50	25	25	25	25	5000	2100
28	112	96	56	56	56	56	28	28	28	28	7000	3000
32	128	114	64	64	64	64	32	32	32	32	8000	3500
36	144	116	72	72	72	72	36	36	36	36	—	4600
38	152	152	76	76	76	76	38	38	38	38	—	5000