

Jinbo Marine

Marine & Offshore Equipment Datasheet

PRODUCT DATASHEET

CHAIN SWIVEL

US Type Swivel G-401

SIZE A inch B inch C inch D inch E inch G inch J inch M inch R inch ...

ISO9001 Supplier

Class Certificate

Export Supply



Key Highlights

Category	Chain Swivel
Material	Stainless steel
Weight / Size	SIZE A inch B inch C inch D inch E inch G inch J inch M inch R inch T in...
Certificate	ABS, LR, BV, DNVGL, NK, KR, IRS, RMRS, CCS

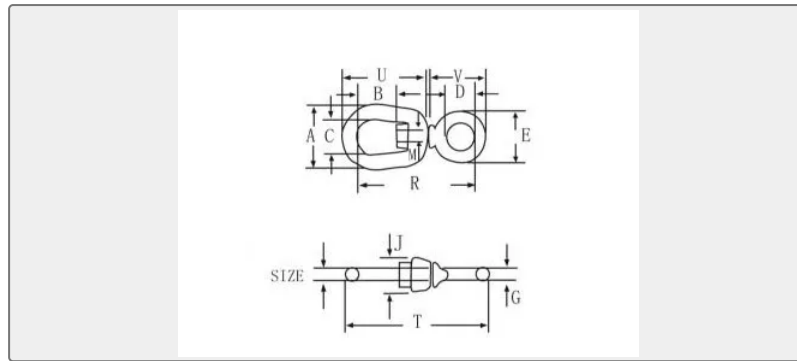
We can supply according to your requirement, drawings, class certificate needs, and delivery schedule.

Technical Specifications

Category	Chain Swivel	Model / SKU	US-TYPE-SWIVEL-G-401
Material	Stainless steel	Weight / Size	SIZE A inch B inch C inch D inch E inch G inch J inch M inch R inch T inch U inch V inch WLL T 1/4 1.25 •69 .75 •62 1.12 .25 •69 .31 2.25 2.75 1.69 1.25 850 5/6 1.63 •81 1.00 .75 1.38 .31 .81 •38 2.72 3.34 2.06 1.47 1250 3/8 2.00 .94 1.25 1.00 1.75 .38 1.00 .50 3.44 4.19 2.5 1.88 2500 1/2 2.50 1.31 1.50 1.25 2.25 •50 1.31 •63 4.25 5.25 3.19 2.44 3600 5/8 3.00 1.56 1.75 1.50 2.75 •62 1.50 •75 5.13 6.31 3.88 2.94 5200 3/4 3.50 1.75 2.00 1.75 3.25 •75 1.88 .88 5.78 7.22 4.94 3.46 7200
Certificate	ABS, LR, BV, DNVGL, NK, KR, IRS, RMRS, CCS	Warranty	12 Months unless specified otherwise
Origin	China		



China US Type Swivel G-401:



SIZE	A inch	B inch	C inch	D inch	E inch	G inch	J inch	M inch	R inch	T inch	U inch	V inch	WLL T
1/4	1.25	•69	.75	•62	1.12	.25	•69	.31	2.25	2.75	1.69	1.25	850
5/6	1.63	•81	1.00	.75	1.38	.31	.81	•38	2.72	3.34	2.06	1.47	1250
3/8	2.00	.94	1.25	1.00	1.75	.38	1.00	.50	3.44	4.19	2.5	1.88	2500
1/2	2.50	1.31	1.50	1.25	2.25	•50	1.31	•63	4.25	5.25	3.19	2.44	3600
5/8	3.00	1.56	1.75	1.50	2.75	•62	1.50	•75	5.13	6.31	3.88	2.94	5200
3/4	3.50	1.75	2.00	1.75	3.25	•75	1.88	.88	5.78	7.22	4.94	3.46	7200