

Jinbo Marine

Marine & Offshore Equipment Datasheet

PRODUCT DATASHEET

CHAIN SWIVEL

US Type Swivel G-403

SIZE A inch B inch C inch J inch K inch L inch M inch N inch P inch ...

- ISO9001 Supplier
- Class Certificate
- Export Supply



Key Highlights

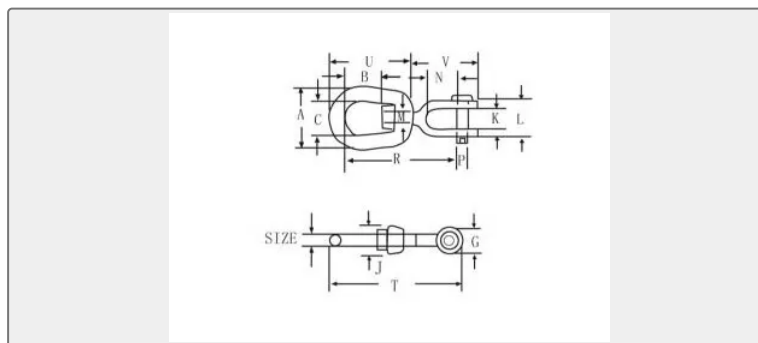
Category	Chain Swivel
Material	Stainless steel
Weight / Size	SIZE A inch B inch C inch J inch K inch L inch M inch N inch P inch R in...
Certificate	ABS, LR, BV, DNVGL, NK, KR, IRS, RMRS, CCS

We can supply according to your requirement, drawings, class certificate needs, and delivery schedule.



Technical Specifications			
Category	Chain Swivel	Model / SKU	US-TYPE-SWIVEL-G-403
Material	Stainless steel	Weight / Size	SIZE A inch B inch C inch J inch K inch L inch M inch N inch P inch R inch T inch U inch V inch WLL T 1/4 1.25 0.69 0.75 0.69 0.47 1.03 0.31 0.88 0.25 2.63 3.38 1.69 1.69 850 5/16 1.63 0.81 1.00 0.81 0.50 1.03 0.38 0.88 0.31 2.94 3.88 2.06 1.81 1250 3/8 2.00 0.94 1.25 1.00 0.63 1.41 0.50 1.06 0.38 3.63 4.75 2.50 2.25 2250 1/2 2.50 1.31 1.50 1.31 0.75 1.75 0.63 1.31 0.50 4.50 6.06 3.19 2.88 3600 5/8 3.00 1.56 1.75 1.50 0.91 2.06 0.75 1.50 0.63 5.31 7.31 3.88 3.44 5200 3/4 3.50 1.75 2.00 1.88 1.13 2.53 0.88 1.75 0.75 6.06 8.31 4.31 4.00 7200 7/8 4.00 2.06 2.25 2.13 1.19 2.75 1.00 2.06 0.88 7.00 9.53 5.00 4.53 10000 1 4.5 2.31 2.50 2.38 1.75 3.72 1.13 2.81 1.13 8.56 11.69 5.75 5.94 12500 1 1/4 5.63 2.69 3.13 3.00 2.06 4.31 1.38 2.81 1.38 9.44 13.13 6.75 6.38 18000 1 1/2 7.00 4.19 4.00 4.00 2.88 6.00 2.25 4.44 2.25 14.74 20.84 10.00 10.84 45200
Certificate	ABS, LR, BV, DNVGL, NK, KR, IRS, RMRS, CCS	Warranty	12 Months unless specified otherwise
Origin	China		

China US Type Swivel G-403:



SIZE	A inch	B inch	C inch	J inch	K inch	L inch	M inch	N inch	P inch	R inch	T inch	U inch	V inch	WLL T
1/4	1.25	0.69	0.75	0.69	0.47	1.03	0.31	0.88	0.25	2.63	3.38	1.69	1.69	850 0.050026s

5/16	1.63	0.81	1.00	0.81	0.50	1.03	0.38	0.88	0.31	2.94	3.88	2.06	1.81	1250
3/8	2.00	0.94	1.25	1.00	0.63	1.41	0.50	1.06	0.38	3.63	4.75	2.50	2.25	2250
1/2	2.50	1.31	1.50	1.31	0.75	1.75	0.63	1.31	0.50	4.50	6.06	3.19	2.88	3600
5/8	3.00	1.56	1.75	1.50	0.91	2.06	0.75	1.50	0.63	5.31	7.31	3.88	3.44	5200
3/4	3.50	1.75	2.00	1.88	1.13	2.53	0.88	1.75	0.75	6.06	8.31	4.31	4.00	7200
7/8	4.00	2.06	2.25	2.13	1.19	2.75	1.00	2.06	0.88	7.00	9.53	5.00	4.53	10000
1	4.5	2.31	2.50	2.38	1.75	3.72	1.13	2.81	1.13	8.56	11.69	5.75	5.94	12500
1 1/4	5.63	2.69	3.13	3.00	2.06	4.31	1.38	2.81	1.38	9.44	13.13	6.75	6.38	18000
1 1/2	7.00	4.19	4.00	4.00	2.88	6.00	2.25	4.44	2.25	14.74	20.84	10.00	10.84	45200