

Jinbo Marine

Marine & Offshore Equipment Datasheet

PRODUCT DATASHEET

WIRE ROPE CLIP

US Type Galv Malleable Wire Rope Clips

- ISO9001 Supplier
- Class Certificate
- Export Supply

Similar Name US Type Galv Malleable Wire Rope Clips US Type Galv Malleable Wire Rope clamps Size Table size inch A ...



Key Highlights

Category	Wire Rope Clip
Material	45# Steel
Weight / Size	Similar Name US Type Galv Malleable Wire Rope Clips US Type Galv Malleab...
Certificate	ABS, LR, BV, DNVGL, NK, KR, IRS, RMRS, CCS

We can supply according to your requirement, drawings, class certificate needs, and delivery schedule.



Technical Specifications			
Category	Wire Rope Clip	Model / SKU	US-Type-Galv-Malleable-Wire-Rope-Clips
Material	45# Steel	Weight / Size	Similar Name US Type Galv Malleable Wire Rope Clips US Type Galv Malleable Wire Rope clamps Size Table size inch A B C D E F G 100/WT KG 1/8 11 14 14 10-24 10.8 22 20 1.5 3/16 13.5 15 16 1/4-20 13 26 24 3 1/4 17 18.5 20 5/16-18 15 32 31.5 5.18 5/16 18.3 20 22 5/16-18 16 35 34 5.95 3/8 22.5 22 27 3/8-16 22 40.5 41.8 10.01 7/16 24 23 30 3/8-16 22 43 42.8 11.43 1/2 27 26 35 7/16-14 23.3 49 53.9 17.42 9/16 30 26.5 40 1/2-13 27 52.5 54.7 22.56 5/8 33 28.5 40 1/2=13 28 57.5 59.2 24.84 3/4 34.5 32 42 9/16-12 34 61 68.7 36.53 7/8 41 37 46 5/8-11 38 71 78 53.23 1 45.5 42 55 5/8-11 43 77.5 87.5 68.32
Certificate	ABS, LR, BV, DNVGL, NK, KR, IRS, RMRS, CCS	Warranty	12 Months unless specified otherwise
Origin	China		

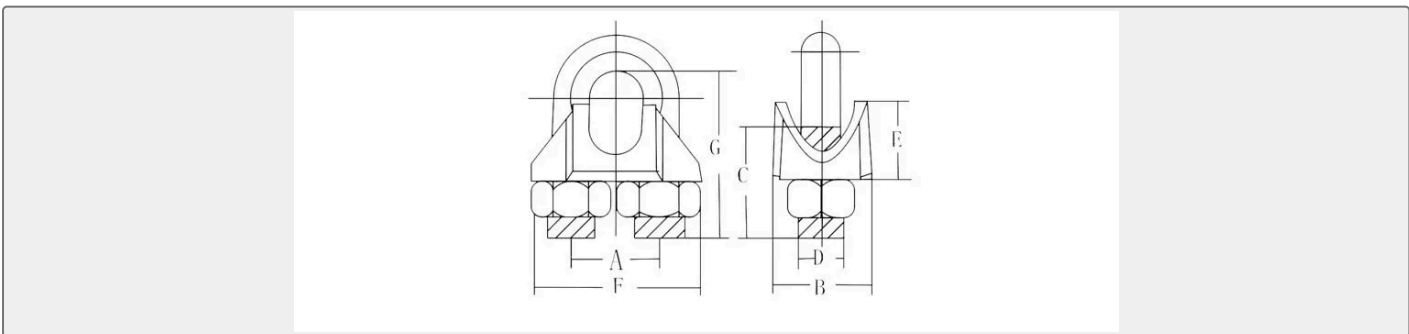
CONTENTS	<input type="checkbox"/> Similar Name <input checked="" type="checkbox"/> Size Table
-----------------	--

Similar Name

US Type Galv Malleable Wire Rope Clips

US Type Galv Malleable Wire Rope clamps

Size Table



size inch	A	B	C	D	E	F	G	 0.045532s
-----------	---	---	---	---	---	---	---	---

1/8	11	14	14	10-24	10.8	22	20	1.5
3/16	13.5	15	16	1/4-20	13	26	24	3
1/4	17	18.5	20	5/16-18	15	32	31.5	5.18
5/16	18.3	20	22	5/16-18	16	35	34	5.95
3/8	22.5	22	27	3/8-16	22	40.5	41.8	10.01
7/16	24	23	30	3/8-16	22	43	42.8	11.43
1/2	27	26	35	7/16-14	23.3	49	53.9	17.42
9/16	30	26.5	40	1/2-13	27	52.5	54.7	22.56
5/8	33	28.5	40	1/2=13	28	57.5	59.2	24.84
3/4	34.5	32	42	9/16-12	34	61	68.7	36.53
7/8	41	37	46	5/8-11	38	71	78	53.23
1	45.5	42	55	5/8-11	43	77.5	87.5	68.32