

Jinbo Marine

Marine & Offshore Equipment Datasheet

PRODUCT DATASHEET

LOAD BINDER

US Type Standard Lever Type Load Binder

ISO9001 Supplier

Class Certificate

Export Supply

Similar Name US Type Lever Type Load Binder Spray Plastics Lever Type Load Binder Drop Forged Lever Type Load Binder Red Painted Standard Lever type load binder Size Table ...



Key Highlights

Category	Load Binder
Standard	EN
Material	45# Steel
Weight / Size	Similar Name US Type Lever Type Load Binder Spray Plastics Lever Type Lo...
Certificate	ABS, LR, BV, DNVGL, NK, KR, IRS, RMRS, CCS

We can supply according to your requirement, drawings, class certificate needs, and delivery schedule.

 0.046048s

Technical Specifications			
Category	Load Binder	Model / SKU	US-Type-Standard-Lever-Type-Load-Binder
Standard	EN	Material	45# Steel
Weight / Size	Similar Name US Type Lever Type Load Binder Spray Plastics Lever Type Load Binder Drop Forged Lever Type Load Binder Red Painted Standard Lever type load binder Size Table Item Chain Size Working Load Limit Proof Load (lbs) Minimum Ultimate Load Weight Handle Length (in.) (lbs.) (lbs.) (lbs.) (in.) JB20 1/4-5/16 2600 5200 7800 3.52 11.42 JB21 5/16-3/8 5400 10800 19000 8.37 15.43 JB22 3/8-1/2 9200 18400 28000/33000 12.11/12.2 17.24 JB23 1/2-5/8 11000 22000 44000 19.7 21	Surface	Painted
Certificate	ABS, LR, BV, DNVGL, NK, KR, IRS, RMRS, CCS	Warranty	12 Months unless specified otherwise
Origin	China		

CONTENTS	■ Similar Name	■ Size Table
-----------------	----------------	--------------

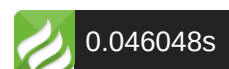
Similar Name

US Type Lever Type Load Binder

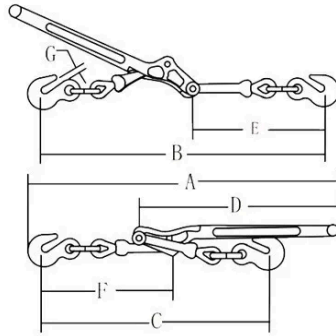
Spray Plastics Lever Type Load Binder

Drop Forged Lever Type Load Binder

Red Painted Standard Lever type load binder



Size Table



Item	Chain Size	Working Load Limit	Proof Load (lbs)	Minimum Ultimate Load	Weight	Handle Length
	(in.)	(lbs.)	(lbs.)	(lbs.)	(lbs.)	(in.)
JB20	1/4-5/16	2600	5200	7800	3.52	11.42
JB21	5/16-3/8	5400	10800	19000	8.37	15.43
JB22	3/8-1/2	9200	18400	28000/33000	12.11/12.2	17.24
JB23	1/2-5/8	11000	22000	44000	19.7	21