

Jinbo Marine

Marine & Offshore Equipment Datasheet

PRODUCT DATASHEET

RUDDER STOCK SEAL

Upper Rudder Carrier CB*3145

Product Advantage It is mainly suitable for various inland water vessels. Dimensions (mm)

Weight (kg) A B ...

ISO9001 Supplier

Class Certificate

Export Supply



Key Highlights

Category	Rudder Stock Seal
Standard	CB
Weight / Size	Dimensions (mm) Weight (kg) A B C D E L H b h d 146 120 80 40 34 80 34 1...
Certificate	ABS, LR, BV, DNVGL, NK, KR, IRS, RMRS, CCS

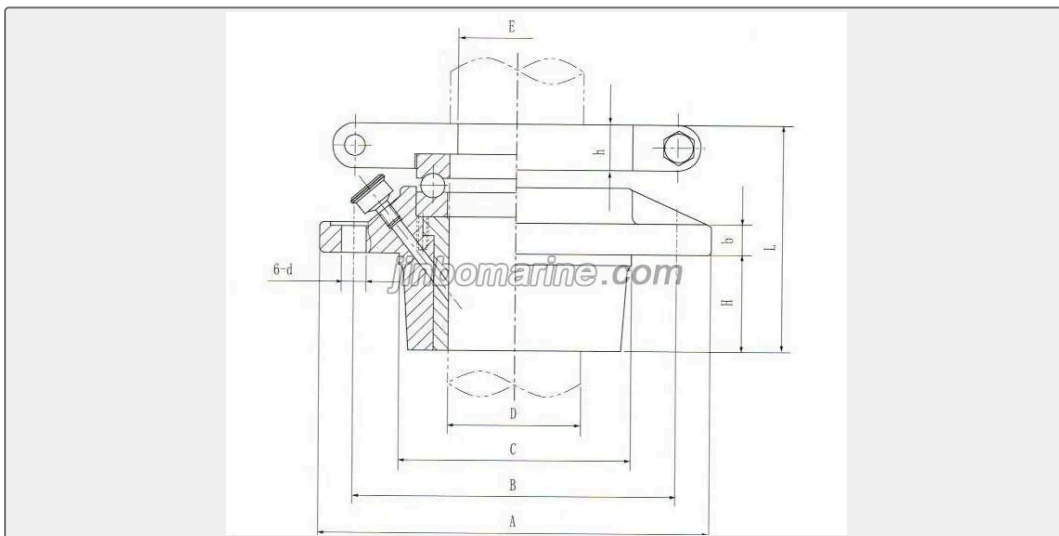
We can supply according to your requirement, drawings, class certificate needs, and delivery schedule.




Technical Specifications			
Category	Rudder Stock Seal	Model / SKU	Upper-Rudder-Carrier-CB-3145
Standard	CB	Weight / Size	Dimensions (mm) Weight (kg) A B C D E L H b h d 146 120 80 40 34 80 34 12 14 M10 2.6 160 134 92 50 44 92 43 14 14 M10 4.8 188 158 110 60 52 106 45 14 16 M12 6.1 206 170 122 70 62 114 51 16 16 M12 9.1 235 199 135 80 70 124 65 16 18 M12 13.2 260 220 154 90 80 145 68 18 20 M16 21 298 250 174 100 88 158 70 20 20 M16 26.4 320 272 188 110 98 168 80 20 20 M16 32.3 342 294 202 120 106 183 90 22 24 M16 40.4 382 322 230 140 126 210 110 24 24 M20 55.8 424 354 258 160 144 239 120 26 28 M20 66.2 456 386 286 180 164 264 130 28 28 M20 89 490 422 318 200 180 294 140 30 32 M24 125.4 516 446 338 220 200 315 155 30 32 M24 154
Certificate	ABS, LR, BV, DNVGL, NK, KR, IRS, RMRS, CCS	Warranty	12 Months unless specified otherwise
Origin	China		

Product Advantage

It is mainly suitable for various inland water vessels.



Dimensions (mm)										Weight (kg)
A	B	C	D	E	L	H	b	h	d	
										 0.039881s

146	120	80	40	34	80	34	12	14	M10	2.6
160	134	92	50	44	92	43	14	14	M10	4.8
188	158	110	60	52	106	45	14	16	M12	6.1
206	170	122	70	62	114	51	16	16	M12	9.1
235	199	135	80	70	124	65	16	18	M12	13.2
260	220	154	90	80	145	68	18	20	M16	21
298	250	174	100	88	158	70	20	20	M16	26.4
320	272	188	110	98	168	80	20	20	M16	32.3
342	294	202	120	106	183	90	22	24	M16	40.4
382	322	230	140	126	210	110	24	24	M20	55.8
424	354	258	160	144	239	120	26	28	M20	66.2
456	386	286	180	164	264	130	28	28	M20	89
490	422	318	200	180	294	140	30	32	M24	125.4
516	446	338	220	200	315	155	30	32	M24	154