

TURNBUCKLES AND LASHING BARS

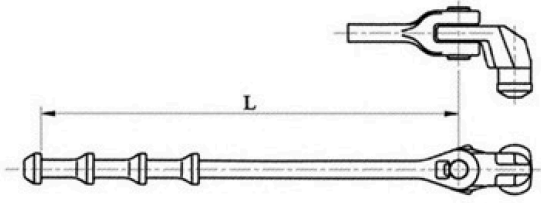
Vertical Type Lashing Bar

1.All items are approved by major classification societies 2.customized design is available.

Material: forged steel Finish: hot dip galvanized M.B.L tension:360KN Length:1680

Weight:10.5kg ...

- ISO9001 Supplier
- Class Certificate
- Export Supply



Key Highlights

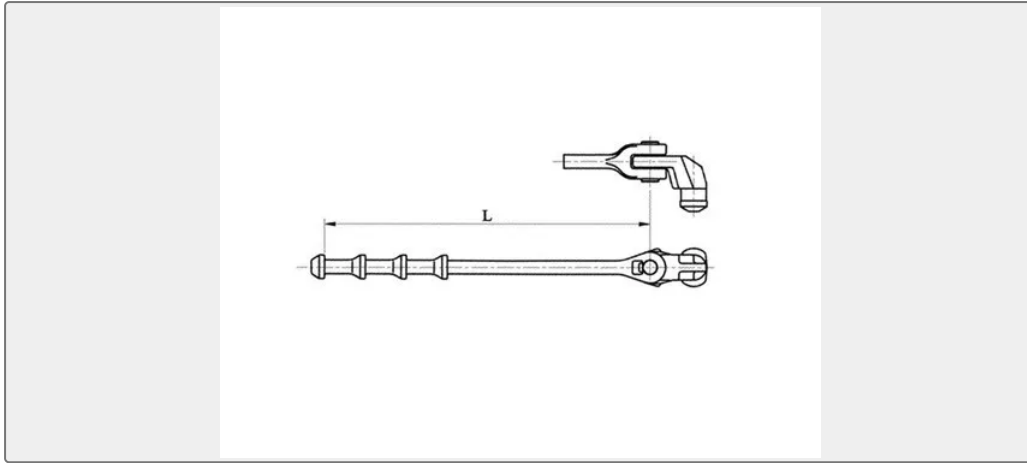
Category	Turnbuckles And Lashing Bars
Standard	ISO
Material	forged steel
Weight / Size	hot dip galvanized M.B.L tension:360KN Length:1680 Weight:10.5kg Other I...
Certificate	GL certificate

We can supply according to your requirement, drawings, class certificate needs, and delivery schedule.

Technical Specifications			
Category	Turnbuckles And Lashing Bars	Model / SKU	Vertical-Type-Lashing-Bar
Standard	ISO	Material	forged steel
Weight / Size	hot dip galvanized M.B.L tension:360KN Length:1680 Weight:10.5kg Other length on request.	Surface	hot dip galvanized
Certificate	GL certificate	Warranty	12 Months unless specified otherwise
Origin	China		



China Vertical Type Lashing Bar:



- 1.All items are approved by major classification societies
- 2.customized design is available.

Material: forged steel

Finish: hot dip galvanized

M.B.L tension:360KN

Length:1680 Weight:10.5kg

Other length on request.

Certification: All items are approved by major classification societies

Remarks: customized design is available

Our scope of supply(cotainer fastners) covers the follows:

D-ring, Lashing plate, Raised ISO foundations, Dovetail foundations, Flush sockets, Sliding foundations, Guide cone, Guide block, Turnbuckles, Lashing rods, Extension rods, Manual twistlocks, **Semi-automatic twistlocks**, **Midlocks**, Sliding twistlocks, **Bridge fittings**, Single stackers, Double stackers, Hanging stackers, ETC