

Jinbo Marine

Marine & Offshore Equipment Datasheet

PRODUCT DATASHEET

MARINE AIR HORN

WD-1A Marine Fog Horn

The automatic fog control siren is the sound signal equipment of ship. When ship sails in fog, it has bad sight. To avoid collision and ensure safe sailing, ship must raise fog signal. This fog siren can raise both audib...

ISO9001 Supplier

Class Certificate

Export Supply



Key Highlights

Category	Marine Air Horn
Standard	EN
Weight / Size	Technical Specifications type Voltage of Magnetic Valve (DC) (V) Power con...
Certificate	ABS, LR, BV, DNVGL, NK, KR, IRS, RMRS, CCS

We can supply according to your requirement, drawings, class certificate needs, and delivery schedule.



Technical Specifications			
Category	Marine Air Horn	Model / SKU	WD-1A-Marine-Fog-Horn
Standard	EN	Weight / Size	Technical Specifications type Voltage of Magnetic Valve (DC) (V) Power consumed fo Magnetic Valve Normal diameter (mm) Air pressureP(Mpa) Audibility (mile) 1/3octave band level at 1 meter (dB) Center Frequency (Hz) Length of Vessel (m) Air Consumed (m3/S) Voltage of heater(V) (DCorAC) Power Consumed of heater(W) Weight (kg) WD-1A 220 110 24 45 25 0.7-10 1.0 ≥130 315 ≥20<75 ≤8.3* 10-3 220 110 220 28 WD-2A 1.5 ≥138 160 ≥75<200 40 WD-3A 2.0 ≥143 125 ≥200 ≤10* 10-3 250 68 WD-1A Fog Horn Size WD-1 Solenoid Valve
Certificate	ABS, LR, BV, DNVGL, NK, KR, IRS, RMRS, CCS	Warranty	12 Months unless specified otherwise
Origin	China		

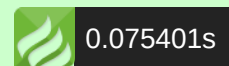
CONTENTS	<ul style="list-style-type: none"> ■ China WD-1A Marine Fog Horn: ■ WD-1A Fog Horn Size 	<ul style="list-style-type: none"> ■ Technical Specifications ■ WD-1 Solenoid Valve
-----------------	---	---

China WD-1A Marine Fog Horn:

The automatic fog control siren is the sound signal equipment of ship. When ship sails in fog, it has bad sight. To avoid collision and ensure safe sailing, ship must raise fog signal. This fog siren can raise both audible signal and light signal specified in the Convention on the International Regulation for Preventing Collisions at Sea, 1972. In fog, the labor strength can be reduced by it. This fog siren can electrically and manually raise siren of any rhythm and light signal.

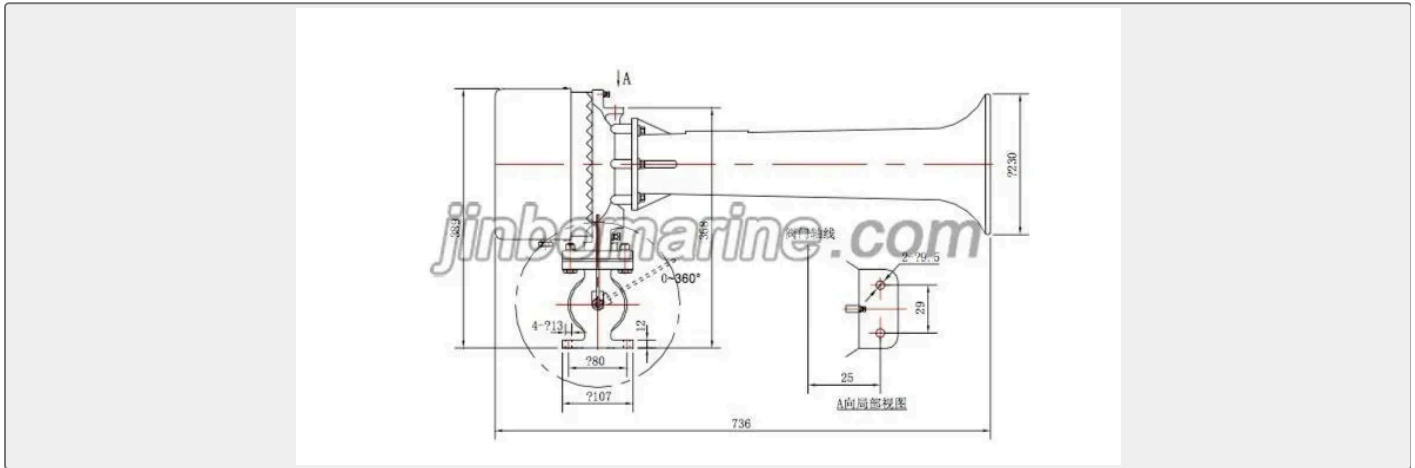
Technical Specifications

type	Voltage of Magnetic Valve (DC) (V)	Power consumed fo Magnetic Valve	Normal diameter (mm)	Air pressureP(Mpa)	Audibility (mile)	1/3octave band level at 1 meter (dB)	Center Frequency (Hz)	Length of Vessel (m)	Air Consumed (m ³ /S)	Voltage of heater(V) (DCorAC)	Power Consumed of heater(W)	Weight (kg)



WD-1A	220	45	25	0.7-10	1.0	≥130	315	≥20<75	≤8.3* 10 ⁻³	220	220	28
	110									110		
WD-2A	24				1.5	≥138	160	≥75<200				
WD-3A					2.0	≥143	125	≥200	≤10* 10 ⁻³		250	68

WD-1A Fog Horn Size



WD-1 Solenoid Valve

