

# Jinbo Marine

Marine &amp; Offshore Equipment Datasheet

PRODUCT DATASHEET

## FOG HORN &amp; ELECTRIC HORN CONTROL SYSTEM

## WD-2A Fog Horn

WD-2A Fog Horn 1) Chapter 3 of Part 4 of the "Steel Ship Classification Rules" of the China Classification Society; 2) Annex III of Convention on The International Regulations for Preventing Collision at Sea (COLREG...)

ISO9001 Supplier

Class Certificate

Export Supply



### Key Highlights

<b>Category</b>	Fog Horn & Electric Horn Control System
<b>Standard</b>	EN
<b>Material</b>	WD-2A Fog Horn 1) Chapter 3 of Part 4 of the "Steel Ship Classification R..."
<b>Weight / Size</b>	7-10kgf/cm <sup>2</sup> /(0.98±0.05Mpa) Listening distance:
<b>Certificate</b>	ABS, LR, BV, DNVGL, NK, KR, IRS, RMRS, CCS

We can supply according to your requirement, drawings, class certificate needs, and delivery schedule.

### Technical Specifications

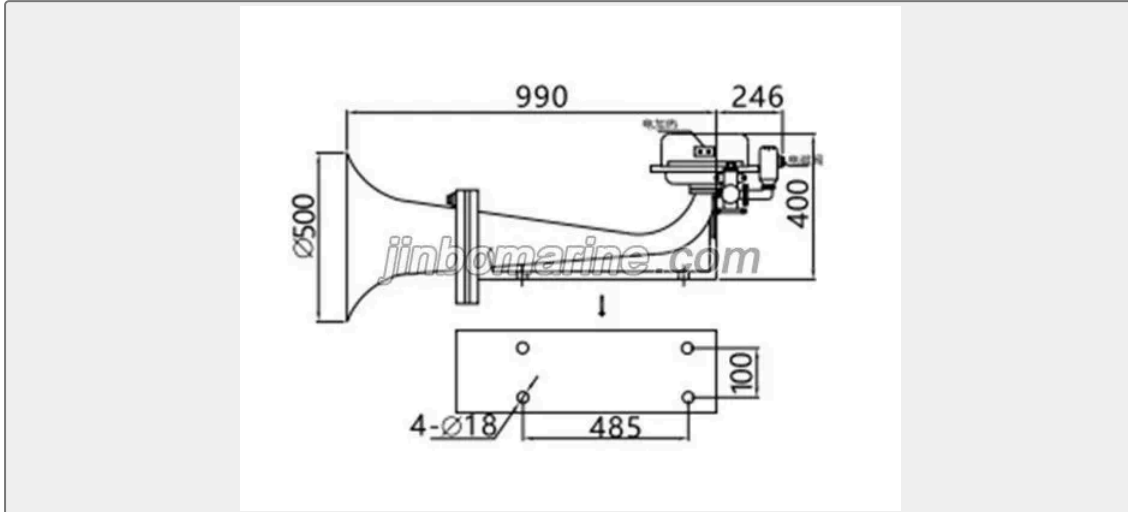
<b>Category</b>	Fog Horn & Electric Horn Control System	<b>Model / SKU</b>	WD-2A-Fog-Horn
<b>Standard</b>	EN	<b>Material</b>	WD-2A Fog Horn 1) Chapter 3 of Part 4 of the "Steel Ship Classification Rules" of the China Classification Society:
<b>Weight / Size</b>	7-10kgf/cm <sup>2</sup> /(0.98±0.05Mpa) Listening distance:	<b>Certificate</b>	ABS, LR, BV, DNVGL, NK, KR, IRS, RMRS, CCS
<b>Warranty</b>	12 Months unless specified otherwise	<b>Origin</b>	China

### China WD-2A Fog Horn:

WD-2A Fog Horn



- 1) Chapter 3 of Part 4 of the "Steel Ship Classification Rules" of the China Classification Society:
- 2) Annex III of Convention on The International Regulations for Preventing Collision at Sea (COLREG) 1972 and Amendments
- 3) Maritime Administration of the People's Republic of China: "Regulations on Legal Inspection of Ships and Marine Facilities-Domestic Navigation Sea Vessels Legal Inspection Regulations" Chapter 13 of Part 4
- 4) Maritime Administration of the People's Republic of China: "Regulations on Legal Inspection of Ships and Marine Facilities-Domestic Navigation Sea Vessels Legal Inspection Regulations" Chapter 8 of Part 4



Electric heating supply: AC220V, 50/60HZ

Solenoid valve voltage: DC220V or DC24V

Nominal diameter: 25mm

Gas source pressure: 7-10kgf/cm<sup>2</sup>/(0.98±0.05Mpa)

Listening distance: 1.5 Nautical mile

Central frequency: 160HZ

Audible distance  $75 \leq \text{Length} < 200\text{m}$

Gas consumption:  $\geq 8.3 \times 10^{-3} \text{ m}^3/\text{s}$

Sound level:  $\geq 138\text{dB}$

Colour: Blue gray

Material: Aluminium alloy

IP rating: IP56