

Jinbo Marine

Marine & Offshore Equipment Datasheet

PRODUCT DATASHEET

FOG HORN & ELECTRIC HORN CONTROL SYSTEM

WD-3A Fog Horn

WD-3A Fog Horn 1) Chapter 3 of Part 4 of the "Steel Ship Classification Rules" of the China Classification Society; 2) Annex III of Convention on The International Regulations for Preventing Collision at Sea (COLREG...)

ISO9001 Supplier

Class Certificate

Export Supply



Key Highlights

Category	Fog Horn & Electric Horn Control System
Standard	EN
Material	WD-3A Fog Horn 1) Chapter 3 of Part 4 of the "Steel Ship Classification R..."
Weight / Size	7-10kgf/cm ² /(0.98±0.05Mpa) listening distance:
Certificate	ABS, LR, BV, DNVGL, NK, KR, IRS, RMRS, CCS

We can supply according to your requirement, drawings, class certificate needs, and delivery schedule.

Technical Specifications

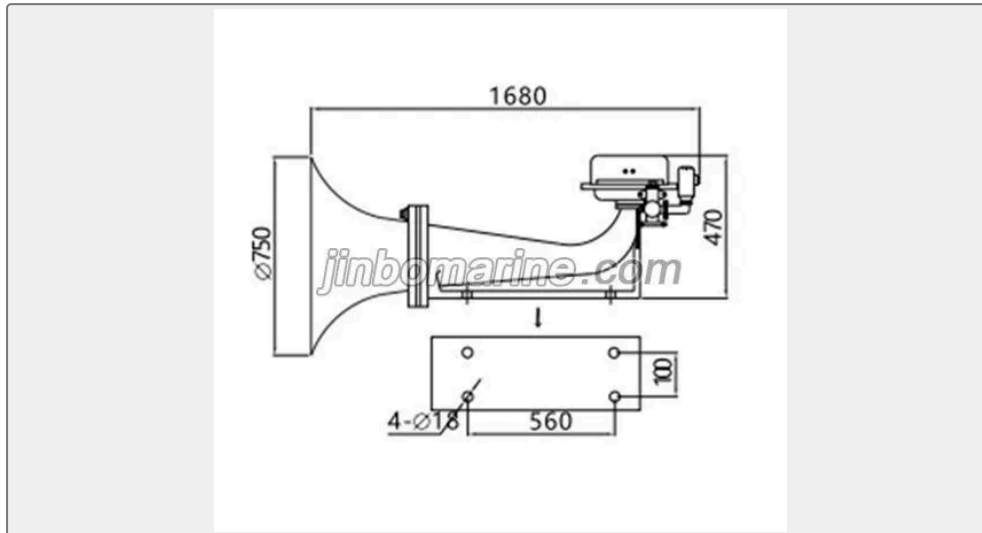
Category	Fog Horn & Electric Horn Control System	Model / SKU	WD-3A-Fog-Horn
Standard	EN	Material	WD-3A Fog Horn 1) Chapter 3 of Part 4 of the "Steel Ship Classification Rules" of the China Classification Society:
Weight / Size	7-10kgf/cm ² /(0.98±0.05Mpa) listening distance:	Certificate	ABS, LR, BV, DNVGL, NK, KR, IRS, RMRS, CCS
Warranty	12 Months unless specified otherwise	Origin	China

China WD-3A Fog Horn:

WD-3A Fog Horn



- 1) Chapter 3 of Part 4 of the "Steel Ship Classification Rules" of the China Classification Society:
- 2) Annex III of Convention on The International Regulations for Preventing Collision at Sea (COLREG) 1972 and Amendments
- 3) Maritime Administration of the People's Republic of China: "Regulations on Legal Inspection of Ships and Marine Facilities-Domestic Navigation Sea Vessels Legal Inspection Regulations" Chapter 13 of Part 4
- 4) Maritime Administration of the People's Republic of China: "Regulations on Legal Inspection of Ships and Marine Facilities-Domestic Navigation Sea Vessels Legal Inspection Regulations" Chapter 8 of Part 4



Electric heating supply: AC220V, 50/60HZ

Solenoid valve voltage: DC220V or DC24V

Nominal diameter: 25mm

Gas source pressure: 7-10kgf/cm²/(0.98±0.05Mpa)

listening distance: 2.0 Nautical mile

Central frequency: 125HZ

Audible distance : 200m

Gas consumption: ≥10×10⁻³ m³/s

Sound level: ≥138dB

Colour: Blue gray

Material: Aluminium alloy

IP rating: IP56